

Swing Anti-Barricade Door System



Product datasheet



The Swing anti-barricade door system allows the safe opening of a door outwards in the event of a patient barricade. By unlocking the frame mounted SwingStop anti-barricade door stop the staff can swing the door outwards to gain access to the barricaded area. The SwingStop is securely fixed to the closing jamb of the frame whilst the SwingHinge provides a robust and anti-ligature continuous solution on the hinge side.

Door System Type

Swing

Door Action

Double action anti-barricade

Hardware Required

SwingHinge double action continuous hinge and SwingStop anti-barricade removable door stop.

Frame Required

Cased opening frame

Door thicknesses

1 3/4" or 2" door

Max Opening Dimensions

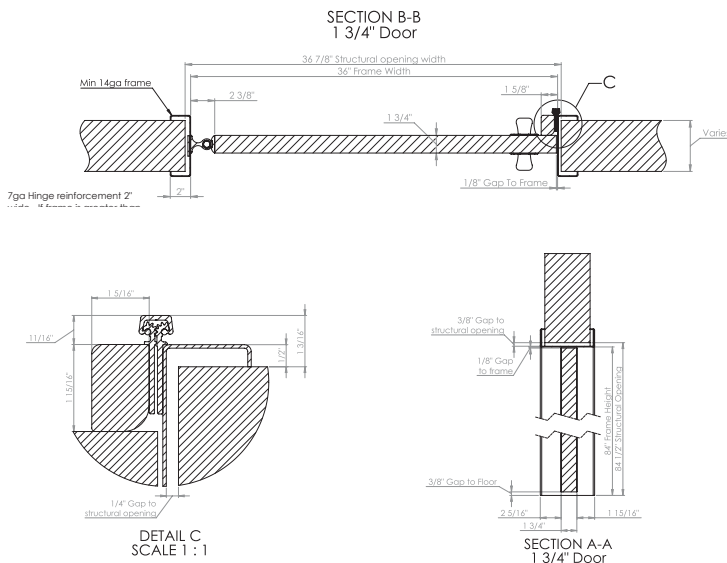
4'0" x 7'0"

Rating

UL1784 rated for smoke leakage

Guarantee

1 Year



Anti-ligature Disclaimer

Anti-ligature Disclaimer The anti-ligature design characteristics of this product are not intended to replace or substitute the need for necessary supervision of those who may be at risk, or for other necessary protective measures to be taken in the specific circumstances of usage. Kingsway Group, Inc. does not offer any products for sale as being 'ligature-free' and will not be liable for any claims arising from ligature attachment on its products. It is the customer's responsibility to ensure that products purchased and installed are suitable for the environments they are installed in.

Swing Anti-Barricade Door System



Product datasheet

Operation Step-By-Step:



Step 1

Staff approach the door and look through the vision panel (if present) to check the patient's location within the room.



Step 2

Staff unlock SwingStop removable door stop on the opening side of the door.



Step 3

Staff fold back the SwingStop removable door stop and open the door outwards.



Step 4

Door is free to open outward and staff are able to access the barricaded area.

Anti-ligature Disclaimer

Anti-ligature Disclaimer The anti-ligature design characteristics of this product are not intended to replace or substitute the need for necessary supervision of those who may be at risk, or for other necessary protective measures to be taken in the specific circumstances of usage. Kingsway Group, Inc. does not offer any products for sale as being 'ligature-free' and will not be liable for any claims arising from ligature attachment on its products. It is the customer's responsibility to ensure that products purchased and installed are suitable for the environments they are installed in.