

KG80 Recessed Pull Handle



Product datasheet



The KG80 Recessed Pull Handle is an antiligature pull handle for doors. The curved recessed section gives good grip to the user whilst having ligature reduced design. The slim, flush mounting of this product makes it ideal for use in patient accessible areas.

Installation description

- Mark out the location of the dispenser on the wall, making sure to allow room for the inner cassette when unlocked for refill.
- Drill holes for screws provided, allowing for anchors to suit wall construction type.
- Attach unit securely to the wall, additional tamper proof caulking can be applied around outer flange.

Operation and Maintenance

Operation

Periodic checks should be made to the fixings that they remain tight and that they have not been tampered with.

Special care should be given when cleaning the recessed section to ensure this is kept free from dirt.

Maintenance

Cleaning of handles should be with a suitable sanitizing cleaner, abrasive cleaning cloth and agents should be avoided.

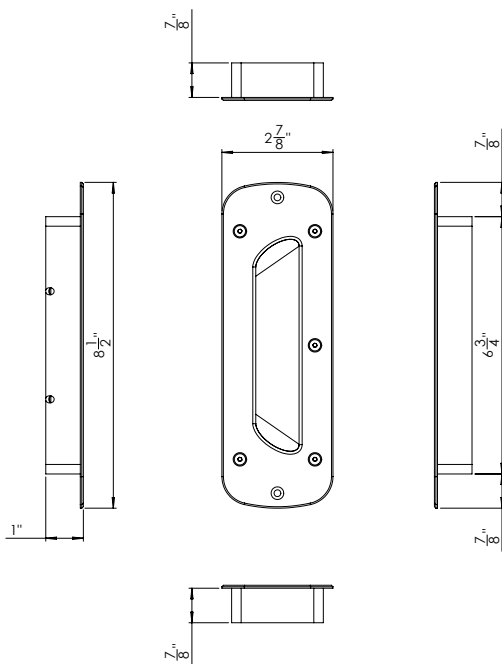
Guarantee

5 Year Guarantee*

*For faulty manufacture and not for damage

Specification

KG80 Recessed Pull Handle dispenser with sloped top, key lock and security screws.



Anti-ligature Disclaimer

Anti-ligature Disclaimer The anti-ligature design characteristics of this product are not intended to replace or substitute the need for necessary supervision of those who may be at risk, or for other necessary protective measures to be taken in the specific circumstances of usage. Kingsway Group, Inc. does not offer any products for sale as being 'ligature-free' and will not be liable for any claims arising from ligature attachment on its products. It is the customer's responsibility to ensure that products purchased and installed are suitable for the environments they are installed in.