

# KG61 Classic Grip Pull Handle Bolt Fixed



## Product datasheet



The KG61 Classic Grip pull handle has a large grip area making it ideal for those with limited dexterity. It is shaped to resist ligature attachment and designed for better infection control. The KG61 is a bolt fixed version that can be used with a KG60 on the other side or on its own on cabinet or cupboard doors. This handle is supplied with security bolts for installation.

### Installation description

- Mark out the location holes by placing handle flat on the door
- Install handle using the security bolts provided

### Operation and Maintenance

#### Maintenance

Periodically check for smooth function and lubricate when necessary with a dry graphite lubricant.

#### Cleaning

Should be cleaned as part of regular schedule using standard detergents or disinfectants, avoid acidic cleaners.

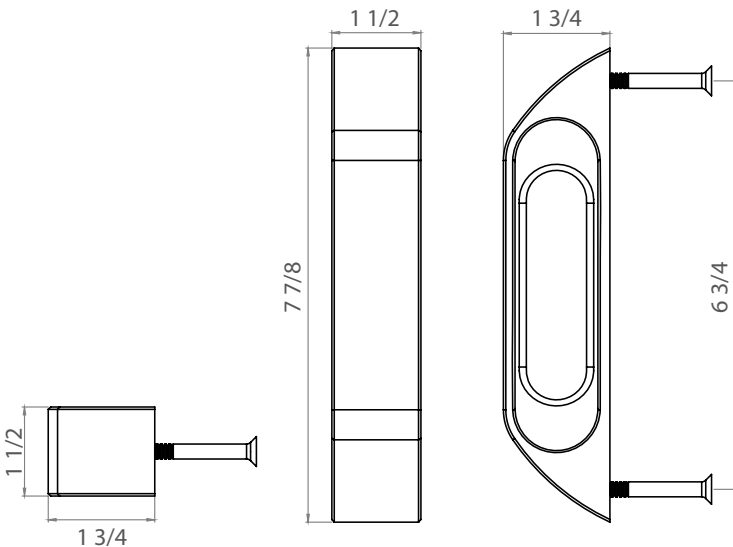
### Guarantee

#### 5 Year Guarantee\*

\*For faulty manufacture and not for damage

#### Architectural Specification

KG61 Anti-ligature surface mounted Classic Grip pull handle bolt fixed with security bolts. Designed to prevent ligature attachment or wedging.



#### Anti-ligature Disclaimer

Anti-ligature Disclaimer The anti-ligature design characteristics of this product are not intended to replace or substitute the need for necessary supervision of those who may be at risk, or for other necessary protective measures to be taken in the specific circumstances of usage. Kingsway Group, Inc. does not offer any products for sale as being 'ligature-free' and will not be liable for any claims arising from ligature attachment on its products. It is the customer's responsibility to ensure that products purchased and installed are suitable for the environments they are installed in.