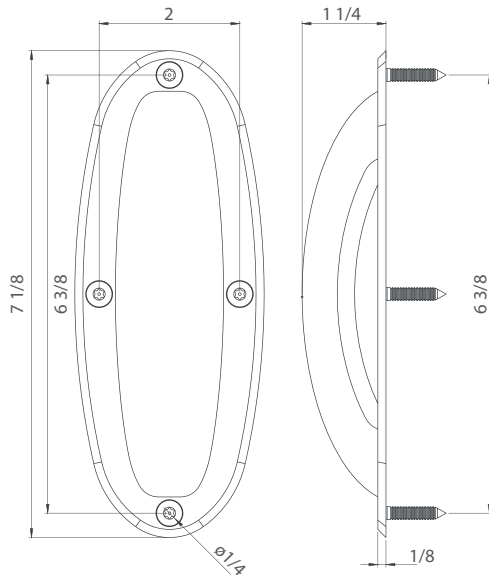


# KG30 Easy Grip Handle On Back Plate



## Product datasheet



### Anti-ligature Disclaimer

Anti-ligature Disclaimer The anti-ligature design characteristics of this product are not intended to replace or substitute the need for necessary supervision of those who may be at risk, or for other necessary protective measures to be taken in the specific circumstances of usage. Kingsway Group, Inc. does not offer any products for sale as being 'ligature-free' and will not be liable for any claims arising from ligature attachment on its products. It is the customer's responsibility to ensure that products purchased and installed are suitable for the environments they are installed in.

The KG30 Easy Grip pull handle on back plate is made from high-grade stainless steel and is anti-ligature by design. It is designed to be compact and give an excellent grip while remaining safe for secure environments. This handle is supplied with security screws for installation.

### Installation description

- Mark out the location holes by placing handle flat on the door
- Install handle using the security screws provided

### Operation and Maintenance

#### Maintenance

Periodically check for smooth function and lubricate when necessary with a dry graphite lubricant.

#### Cleaning

Should be cleaned as part of regular schedule using standard detergents or disinfectants, avoid acidic cleaners.

### Guarantee

#### 5 Year Guarantee\*

\*For faulty manufacture and not for damage

#### Architectural Specification

KG30 Anti-ligature surface mounted Easy Grip pull handle on backplate with security screws. Designed to prevent ligature attachment or wedging.