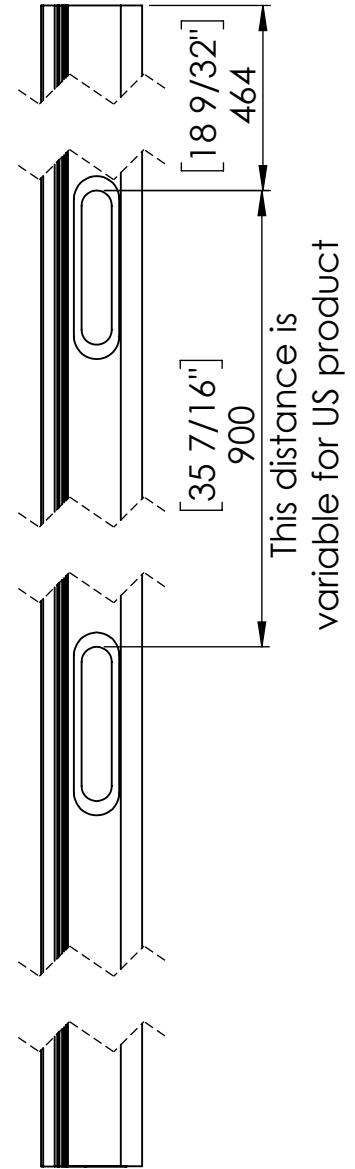
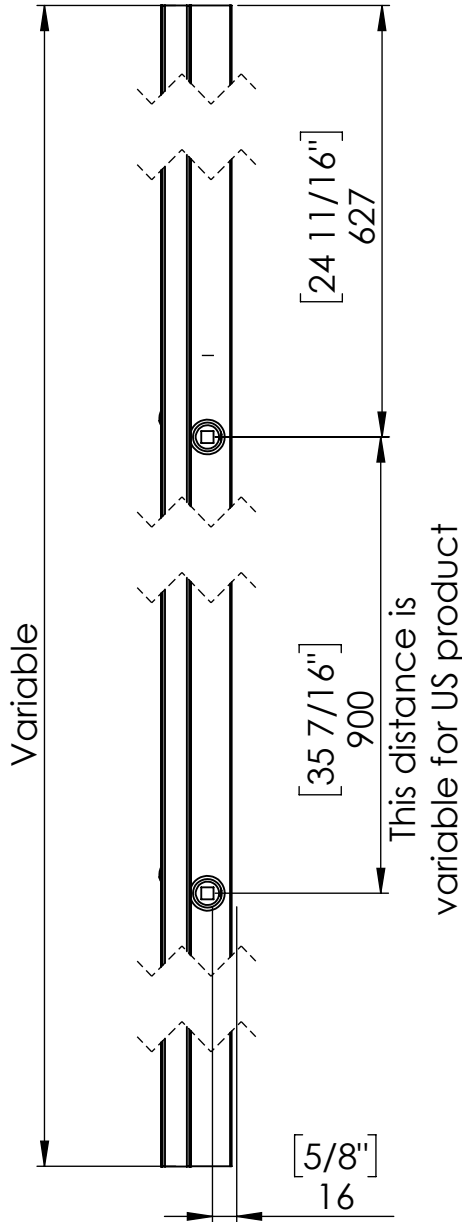
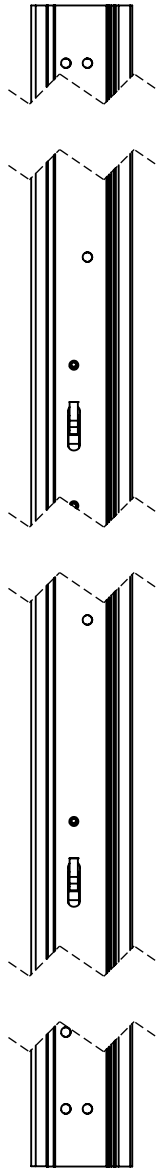
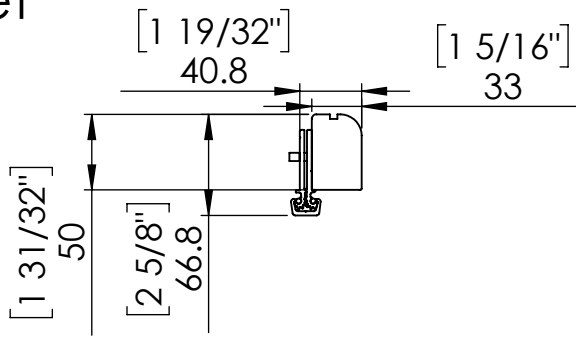
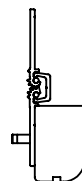


# KG205 Cut Sheet

Not to scale



Kingsway SWING Stop 2  
Point Lock  
Dimensions: mm [inches]  
Code: KG205

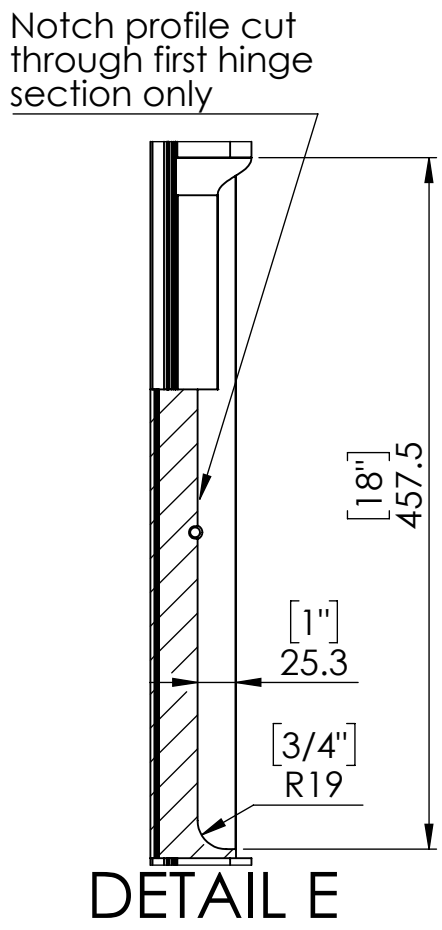
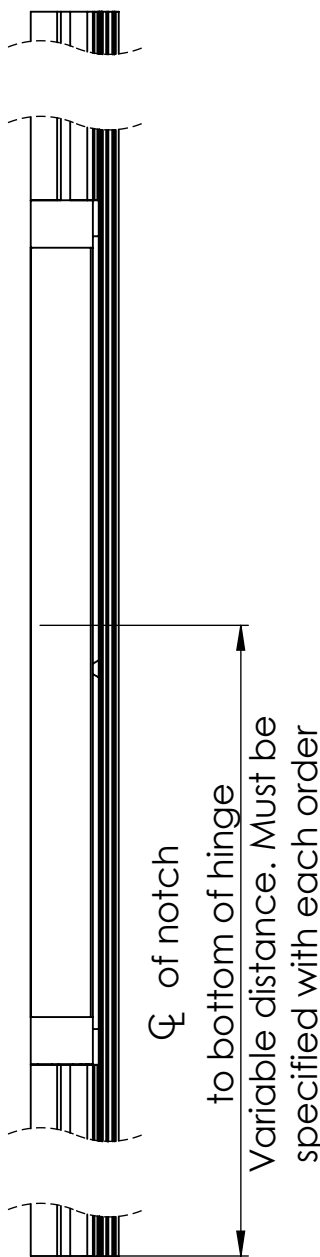
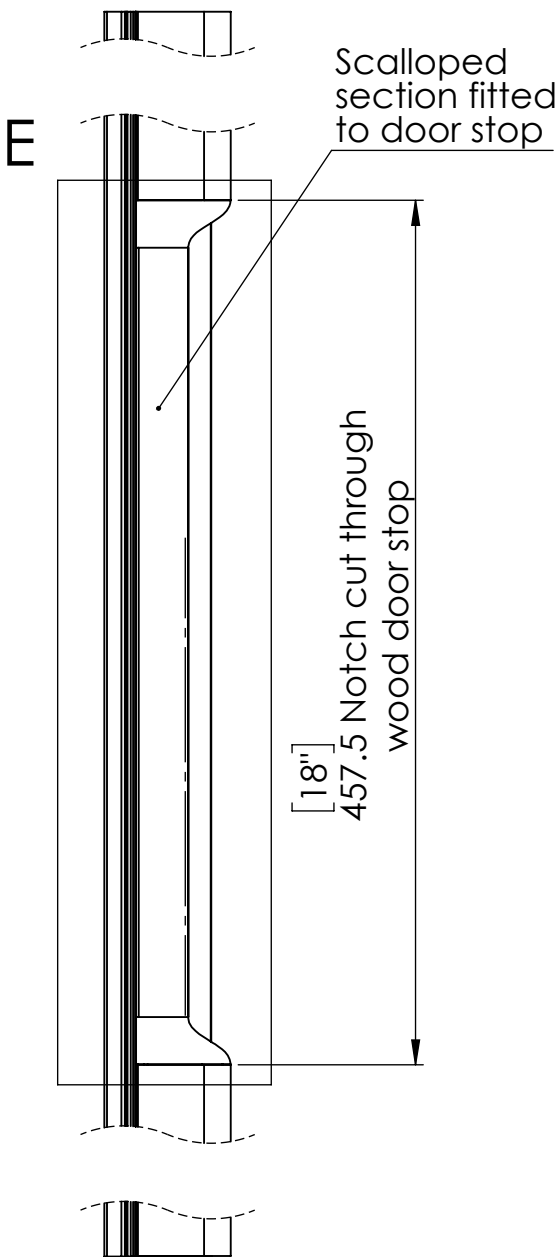
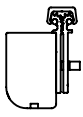


sales@kingswaygroupglobal.com  
www.kingswaygroupglobal.com

# KG205.N Cut Sheet

US Only - Not to scale

Notch cut out details.  
All other dimensions as per  
KG205

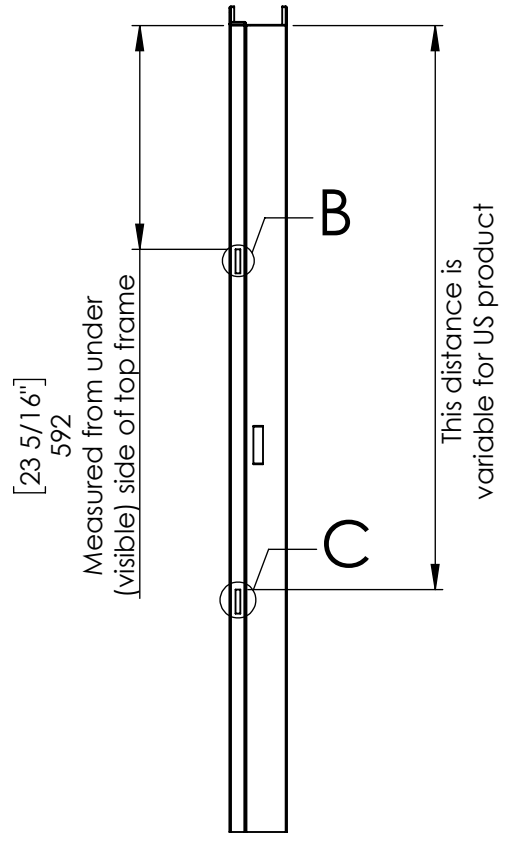
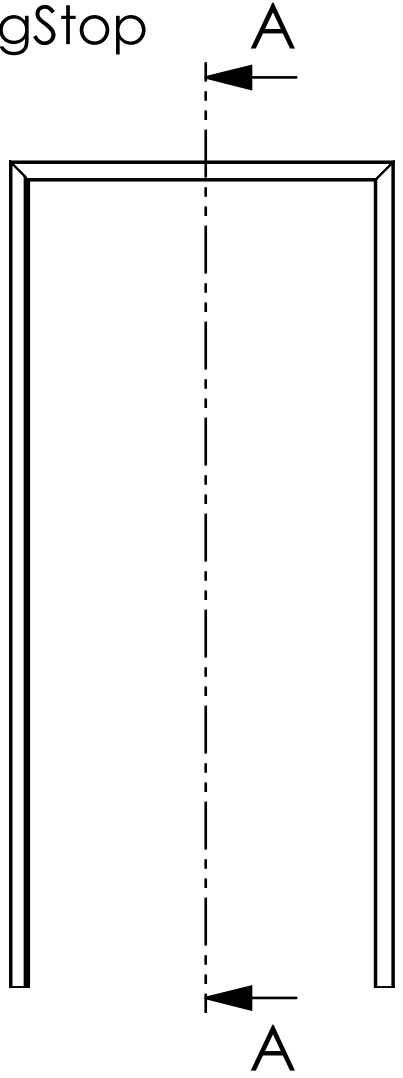


Kingsway SWING Stop 2  
Point Lock  
Dimensions: mm[inches]  
Code: KG205.N

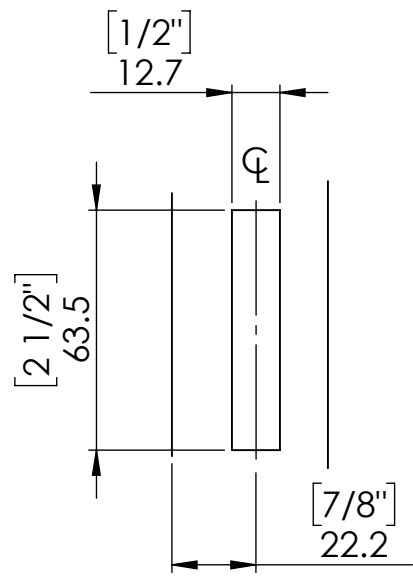


sales@kingswaygroupglobal.com  
www.kingswaygroupglobal.com

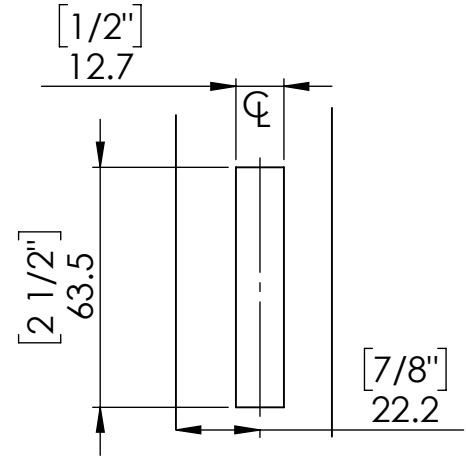
# Frame Details for KG205 SwingStop



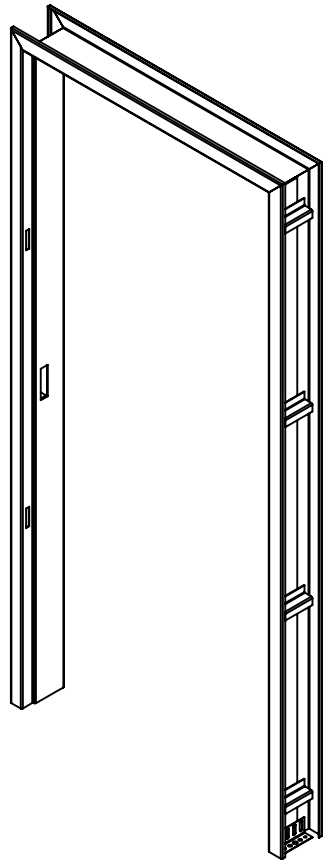
SECTION A-A



DETAIL B



DETAIL C



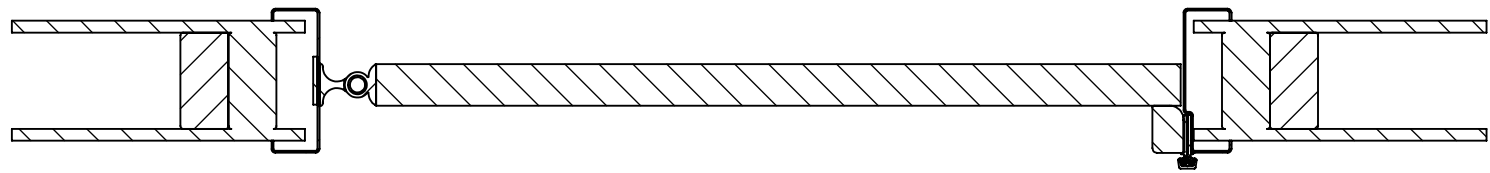
Kingsway SWING Stop 2 Point Lock  
 Dimensions: mm [inches]  
 Code: KG205



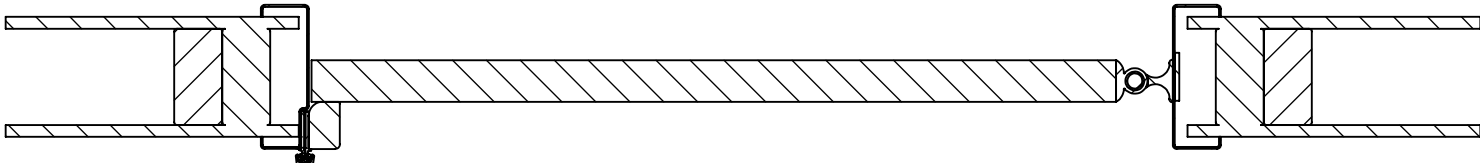
sales@kingswaygroupglobal.com  
 www.kingswaygroupglobal.com

# Frame Rabbet Options for KG205 SwingStop

## Right Hand Swing Stop Top View



## Left Hand Swing Stop Top View



Kingsway SWING Stop  
2 Point Lock  
Code: KG205



[sales@kingswaygroupglobal.com](mailto:sales@kingswaygroupglobal.com)  
[www.kingswaygroupglobal.com](http://www.kingswaygroupglobal.com)