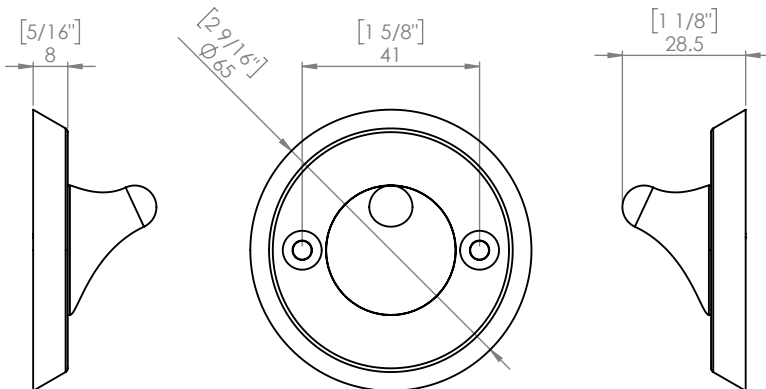


KG180 Coat Hook



Product datasheet



Anti-ligature Disclaimer

Anti-ligature Disclaimer The anti-ligature design characteristics of this product are not intended to replace or substitute the need for necessary supervision of those who may be at risk, or for other necessary protective measures to be taken in the specific circumstances of usage. Kingsway Group, Inc. does not offer any products for sale as being 'ligature-free' and will not be liable for any claims arising from ligature attachment on its products. It is the customer's responsibility to ensure that products purchased and installed are suitable for the environments they are installed in.

The KG180 Coat and Towel hook is made from a low shore rating flexible rubber with a high silicone content that is inserted into a stainless steel surround. The KG180 is anti-ligature by design and is installed with security screws which pass through both the surround and rubber.

Installation description

- Mark out the location on the wall
- Drill holes for screws provided, allowing for anchors to suit wall construction type.
- Attach unit securely to the wall, tamper proof caulking can be applied if necessary

Operation and Maintenance

Operation

Designed for garments and towels up to 15 pounds. The rubber hook will drop if weight is exceeded.

Maintenance

Periodically check lock for smooth function and lubricate when necessary with a dry graphite lubricant.

Cleaning

Should be cleaned as part of regular schedule using standard detergents or disinfectants, avoid acidic cleaners.

Guarantee

5 Year Guarantee*

*For faulty manufacture and not for damage

Architectural Specification

KG180 Anti-ligature coat and towel hook, supplied with security screws.

Below this add the colors as currently listed:
KG180 BK (Black) Anti-Ligature Coat Hook
KG180 BL (Blue) Anti-Ligature Coat Hook
KG180 CR (Cream) Anti-Ligature Coat Hook
KG180 GR (Grey) Anti-Ligature Coat Hook
KG180 BE (Beige) Anti-Ligature Coat Hook

This product is subject to U.S. patent #D790328.