

KG165 Secure Tray Hatch with 3-Point Locking



Product datasheet



The secure tray hatch is a high secure unit that is installed into doors to provide a secure tray serving solution. Manufactured to allow items up to 14" wide to be passed into a room removing the requirement for the door to be opened for communications or patient serving. Secured with security bolts from the fascia on staff side and no visible screws on patient side.

Installation Description

- Cut out the required aperture in the wall to suit the unit
- Attach the inner part of the food hatch and make sure that it is level
- Attach the front fascia and ensure that all screws are tight

Operation and Maintenance

Operation

To pass an object through the door unlock the hatch using the staff key and swing down the front tray into the open position. Pass the object or communicate through the hatch and then latch shut when finished.

Maintenance

Light lubricant can be used on moving parts and periodic checks should be made to ensure the locks operate smoothly

Cleaning

The hatch can be cleaned used standard commercial detergents and cleaners but care should be take to avoid cleaning with abrasive cloths which will scratch the surfaces of the unit.

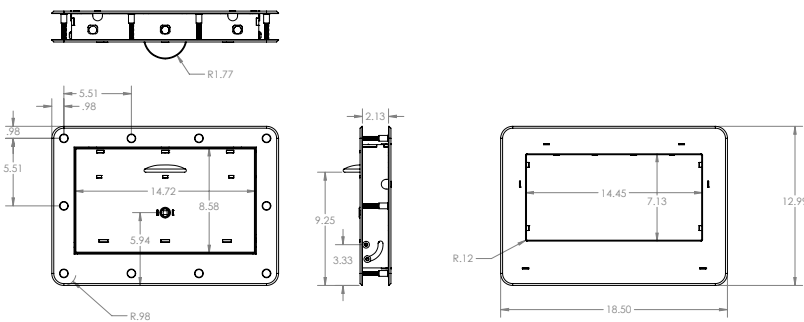
Guarantee

5 Year Guarantee*

For faulty

Specification

KG165 Secure Tray Hatch With 3-Point Locks
- specify door thickness at point of order



Anti-ligature Disclaimer

Anti-ligature Disclaimer The anti-ligature design characteristics of this product are not intended to replace or substitute the need for necessary supervision of those who may be at risk, or for other necessary protective measures to be taken in the specific circumstances of usage. Kingsway Group, Inc. does not offer any products for sale as being 'ligature-free' and will not be liable for any claims arising from ligature attachment on its products. It is the customer's responsibility to ensure that products purchased and installed are suitable for the environments they are installed in.