

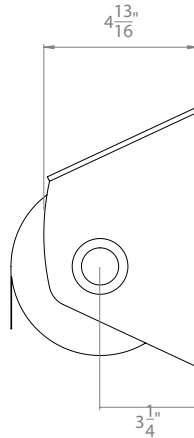
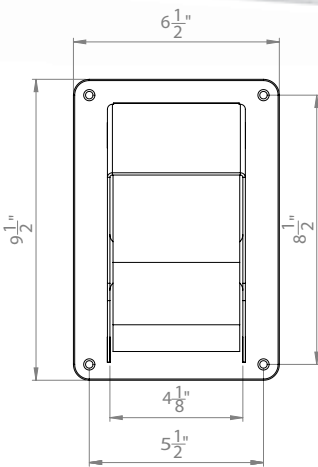
# KG03 Toilet Roll Holder



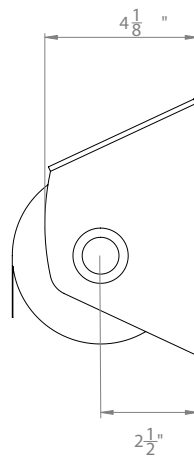
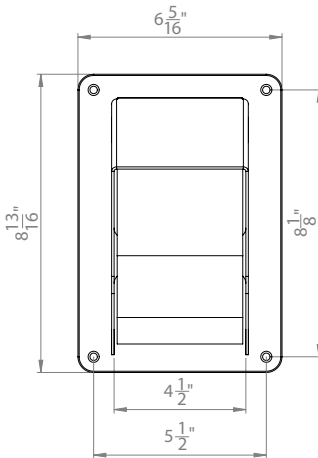
## Product datasheet



KG03.4



KG03.45



### Anti-ligature Disclaimer

Anti-ligature Disclaimer The anti-ligature design characteristics of this product are not intended to replace or substitute the need for necessary supervision of those who may be at risk, or for other necessary protective measures to be taken in the specific circumstances of usage. Kingsway Group, Inc. does not offer any products for sale as being 'ligature-free' and will not be liable for any claims arising from ligature attachment on its products. It is the customer's responsibility to ensure that products purchased and installed are suitable for the environments they are installed in.

The KG03 surface mounted dispenser allows for the safe dispensing of toilet rolls. It is made from high-grade stainless steel and is anti-ligature by design. The unit is supplied with security screws for installation.

### Installation description

- Mark out the location of the dispenser on the wall, making sure to allow room for the inner cassette when unlocked for refill.
- Drill holes for screws provided, allowing for anchors to suit wall construction type.
- Attach unit securely to the wall, additional tamper proof caulking can be applied around outer flange.

### Operation and Maintenance

#### Operation

Place a standard toilet roll so that it is locked into both dimples allowing the roll to rotate.

#### Maintenance

Periodically check for smooth function and lubricate when necessary with a dry graphite lubricant.

#### Cleaning

Should be cleaned as part of regular schedule using standard detergents or disinfectants, avoid acidic cleaners.

### Guarantee

#### 5 Year Guarantee\*

\*For faulty manufacture and not for damage

#### Architectural Specification

KG03 Anti-ligature surface mounted toilet roll dispenser with security screws, specify model for roll width.

Specify model for roll width - 4" is standard  
 KG03.4 Toilet Roll Holder - to suit 4" rolls  
 KG03.45 Toilet Roll Holder - to suit 4.5" rolls