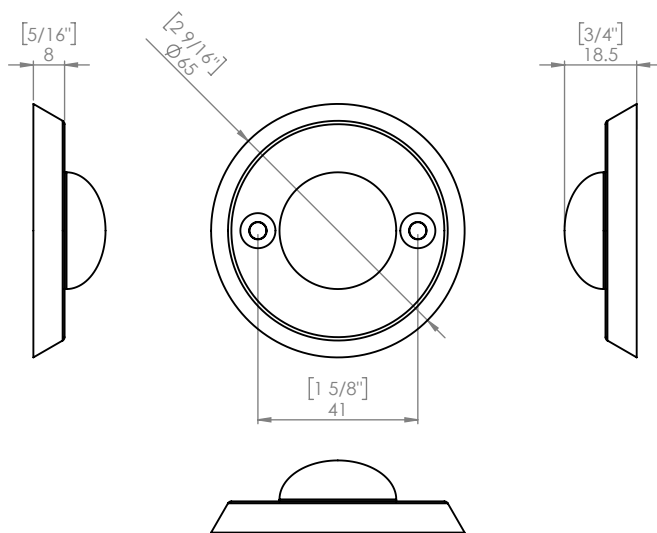


# KG182 Wall Mounted Door Stop



## Product datasheet



### Anti-ligature Disclaimer

Anti-ligature Disclaimer The anti-ligature design characteristics of this product are not intended to replace or substitute the need for necessary supervision of those who may be at risk, or for other necessary protective measures to be taken in the specific circumstances of usage. Kingsway Group, Inc. does not offer any products for sale as being 'ligature-free' and will not be liable for any claims arising from ligature attachment on its products. It is the customer's responsibility to ensure that products purchased and installed are suitable for the environments they are installed in.

The Kingsway wall mounted door stop is a high impact moulded rubber dome set in a solid stainless steel surround. These are mounted to protect walls from damage by door handles.

### Installation Description

- Mark out the location on the wall
- Drill holes for screws provided, allowing for anchors to suit wall construction type.
- Mount unit securely to the wall, tamper proof caulking can be applied if necessary

### Operation and Maintenance

#### Operation

Designed to stop door handles and other door hardware from coming into contact with wall surfaces.

#### Maintenance

Periodic checks should be made to ensure the screws remain tight and that the rubber has not been damaged.

#### Cleaning

Should be cleaned as part of regular schedule using standard detergents or disinfectants, avoid acidic cleaners.

### Guarantee

#### 5 Year Guarantee\*

\*For Faulty Manufacture And Not For Damage

#### Architects Specification

KG182 Anti-Ligature wall mounted door stop, supplied with security screws.

KG182 BK (Black) Anti-Ligature Door Stop  
KG182 CR (Cream) Anti-Ligature Door Stop  
KG182 GR (Grey) Anti-Ligature Door Stop  
KG182 BE (Beige) Anti-Ligature Door Stop