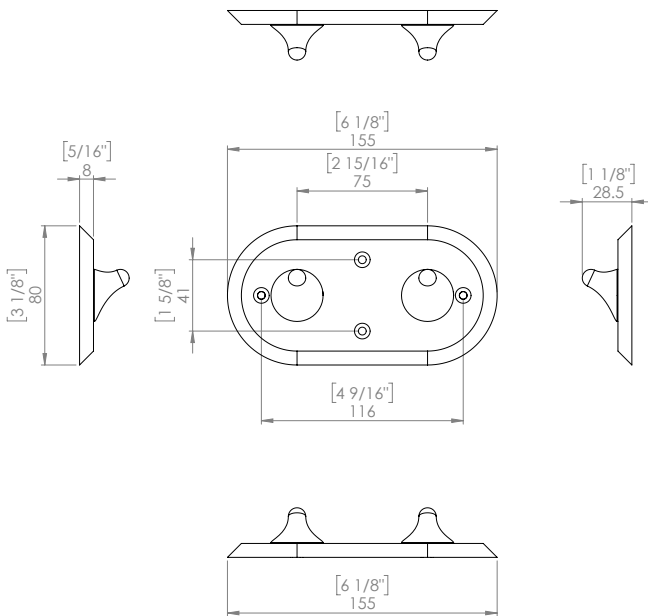


# KG177 SS Ligature Resistant Dual Coat Hook Rack



## Product datasheet



### Anti-ligature Disclaimer

Anti-ligature Disclaimer The anti-ligature design characteristics of this product are not intended to replace or substitute the need for necessary supervision of those who may be at risk, or for other necessary protective measures to be taken in the specific circumstances of usage. Kingsway Group, Inc. does not offer any products for sale as being 'ligature-free' and will not be liable for any claims arising from ligature attachment on its products. It is the customer's responsibility to ensure that products purchased and installed are suitable for the environments they are installed in.

The dual coat hook rack is a stainless steel back plate which securely holds the flexible rubber hook parts. The rubber hook parts are made from a low shore rating with a high silicone content and mounted by security screws that pass through both the surround and the rubber.

### Installation Description

- Mark out the location on the wall
- Drill holes for screws provided, allowing for anchors to suit wall construction type.
- Mount unit securely to the wall, tamper proof caulking can be applied if necessary

### Operation and Maintenance

#### Operation

Designed for garments and towels up to 15 pounds. The rubber hook will drop if weight is exceeded.

#### Maintenance

Periodic checks should be made to ensure the screws remain tight and that the rubber has not been damaged.

#### Cleaning

Should be cleaned as part of regular schedule using standard detergents or disinfectants, avoid acidic cleaners.

### Guarantee

#### 5 Year Guarantee\*

\*For Faulty Manufacture And Not For Damage

#### Architects Specification

KG177 SS Anti-ligature dual coat and towel rack supplied with security screws.

KG177 SS BK (Black) Anti-Ligature Coat Rack  
KG177 SS BL (Blue) Anti-Ligature Coat Rack  
KG177 SS CR (Cream) Anti-Ligature Coat Rack  
KG177 SS GR (Grey) Anti-Ligature Coat Rack  
KG177 SS BE (Beige) Anti-Ligature Coat Rack  
This is a patented product to U.S. patent #D860767