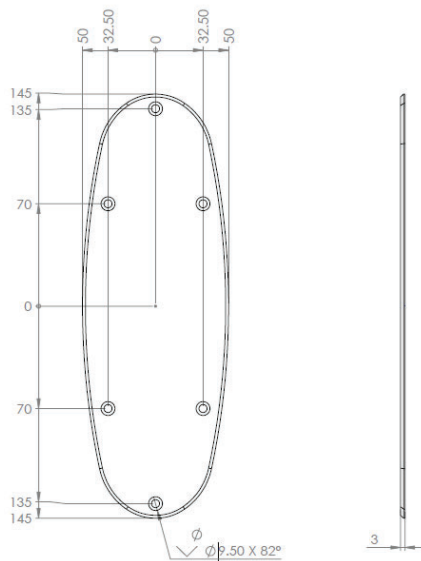


Product datasheet

Kingsway
Group

KG100 Push Plate



Overall Size: 3-15/16" (100mm) Wide x 11-3/8" (290mm) Tall

Anti-ligature Disclaimer

Anti-ligature Disclaimer The anti-ligature design characteristics of this product are not intended to replace or substitute the need for necessary supervision of those who may be at risk, or for other necessary protective measures to be taken in the specific circumstances of usage. Kingsway Group, Inc. does not offer any products for sale as being 'ligature-free' and will not be liable for any claims arising from ligature attachment on its products. It is the customer's responsibility to ensure that products purchased and installed are suitable for the environments they are installed in.

The Kingsway push plate is designed to protect doors from wear - made from 3mm solid stainless steel plate with radiused ends and beveled edges. Supplied with security screws and easy to clean making it ideal for infection control.

Installation Description

- Mark out the area where the plate is to be installed and drill the 6 holes.
- Mount in place using the security screws provided.

Operation and Maintenance

Operation

Designed to give a hardwearing push area on the door that is easy to clean and free of ligature risk.

Maintenance

Periodic checks should be made to ensure the screws remain tight.

Cleaning

Cleaning of the push plate should be with a damp cloth. Cleaning agents should be avoided.

Guarantee

5 Year Guarantee*

*For faulty manufacture and not for damage

Specification

KG100 Radiused End Push Plate