

SECLUSION

The SECLUSION Complete Door System features a four-point locking system and provides our most robust solution for areas where service users are required to be isolated in a safe environment.



Installation with New Frame:

Installation Instructions

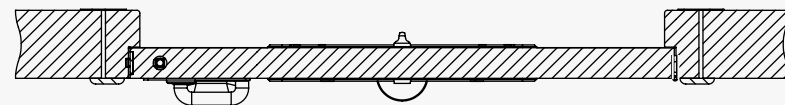
- 1 Install the Kingsway Welded Frame assembly as per installation instructions on page 5.
- 2 Place the doorset in the opening and pack using suitable material to ensure gaps are equal all round.
- 3 Drill and fix the hanging jamb making sure it is free from bow and twist while door is open.
- 4 Fix the top of the closing jamb (approx. 80-100mm down) then close the door, ensure handle is in the lowered / down position. The door should then be put in alignment to enable all the bolts to fully extract into their required holes (3 side, 1 top). If correct, the handle will release back up to 90° automatically when closed.
- 5 Care should be given to ensure the handle isn't forced closed as this will misalign the bolts within the door itself.
- 6 Once the door is closed and all the bolts are sprung/handle at 90° then the closing jamb can be fully packed and fixed, while the door is still shut, to ensure the alignment stays true.
- 7 It is advisable to fix in the center of the frame head to provide additional support and maintain the correct gap.
- 8 2-4mm gaps should be maintained around the perimeter at all the times.



Installation Instructions

- 9 Apply pick-resistant caulk around the outside of the frame to ensure it is sealed to the wall.
- 10 Refer to diagram and the manufacturer's adjustment instructions to ensure floor threshold plate is correctly located.
- 11 To determine that the locking function is working - when the door is closed (not slammed) the handle will start in the downward position and will release to 90° once the door reaches its closed position. The door should now be unopenable from the inside. Operating the staff-side handle should allow the door to open. The key cylinder should be tested when the door is closed to ensure it securely locks the door and prevents the staff-side handle from opening the door.
- 12 If the handle doesn't fully release - please check alignment and that no foreign objects are in the striker holes/bottom keeps, hindering the bolts.
- 13 To install cylinder there is a small cylinder securing screw that must be accessed with a long 3/16" (3mm) Allen key when the handle is down - this will then secure the cylinder within the lock casing.

Fig. 1



For further assistance with installation, please call (800) 783-7980 or email us at: sales@kingswaygroupusa.com

Installation Checklist

Door Leaf	Ensure gaps from leaf to frame are within specified tolerance
	Check the free movement of the door in both directions where applicable to ensure it doesn't catch on the floor
	Free from damage
	Fitting plumb, level and square in the frame
	Consistent gap between the door and frame as specified
Door Frame	Free from damage
	Correct number, type, size and location of wall fixings
	All fixings correctly plugged and finished
	Correct packing materials used between the wall and frame
Fire & Smoke Seals	Compatible with the doorset based on the instructions
	Fitted flush in the grooves and without gaps
	Smoke seals fill the gap between the door and frame on all sides
	Free from damage
Latch or Lock	Engages securely within the keep when closed
	Operates without undue friction
	Free from damage
Hinges	Functioning correctly without undue friction
	Free from damage
	If the hinge has been taken off at some point check that it has been refitted correctly and all fixings are secure
Anti-Barricade items	Swing Stops can open outwards fully without hinderance or friction
	Switch hinges are operating correctly without friction
	Door opens in both directions without binding on the floor
	Free from damage
Vision Panels	Functioning vision panels operate smoothly
	Frames and glass free from damage
Other hardware	Free from damage and correctly functioning
	Door closers functioning correctly and fully closing the door
	Electrical products correctly wired and functioning
Trim	Free from damage
	Fitted correctly without gaps
	All fixings either plugged or finished with wax

Inspection & Maintenance

All doors should be inspected regularly for damage that prevents the door performing in the event of a fire or an emergency situation, such as a barricade scenario. The following has been drawn up as a guide:

Area	Type of check	Frequency
Door Leaf	Free from damage	1 month
	Consistent gap between the door and frame as specified	6 months
Door Frame	Free from damage	6 months
Fire & Smoke Seals	All present and free from damage	3 months
Latch or Lock	Engages securely within the keep when closed	1 month
	Operates without undue friction	1 month
	Free from damage and all fixings are present and secure	1 month
Hinges	Functioning correctly without undue friction	weekly
	Free from damage and all fixings are present and secure	weekly
Anti-Barricade items	Swing Stops are functioning correctly without friction or damage and all fixings are present and secure	weekly
	Switch hinges are operating correctly without friction or damage and all fixings are present and secure	Weekly
	Door opens in both directions without binding on the floor	Weekly
Vision Panels	Functioning vision panels operate smoothly	Weekly
	Free from damage and all fixings are present and secure	Weekly
Other hardware	Free from damage, functioning correctly and all fixings are present and secure	Weekly
	Door locks and unlocks correctly without hinderance	Weekly
	Door closers are continuing to function correctly and close the door	Weekly
	Electrical products working correctly	Weekly
Trim	Free from damage	6 months
	Fitted correctly without gaps	6 months

Have a technical issue, or a query? Call (800) 783-7980 or email us at: sales@kingswaygroupusa.com

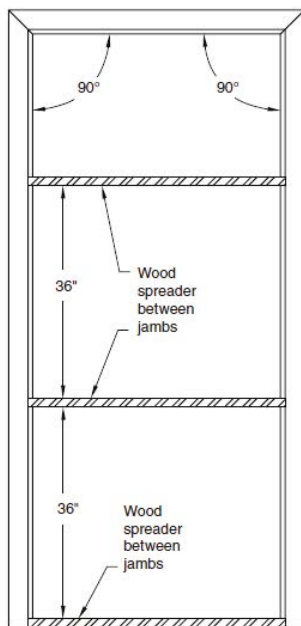
Welded Frames

NOTE: PLEASE READ BEFORE INSTALL OF ANY KINGSWAY FRAMES

Due to the environment Kingsway frames are installed in and the potential abuse that can be sustained, we recommend the following:

- 1) Fully welded frames with Minimum 5 anchors per side
- 2) The use of wood spreaders at the bottom of frames AND at 36" intervals between the top and bottom as indicated in Figure 1.

Fig. 1



New Frame Installation Instructions

- 1) Prior to installation, jobsite personnel shall ensure correct swing, size and labeling.
- 2) Installation tolerance must be followed as opening will not function properly if the frame is not installed within recognized tolerances.
- 3) For examples of the accuracy to be maintained while setting frames, see Figure 2-5.

Fig. 2

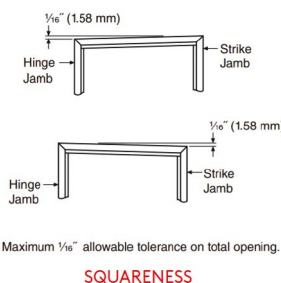


Fig. 3

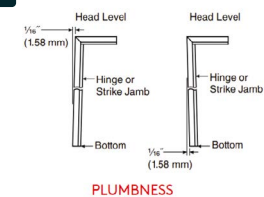


Fig. 4

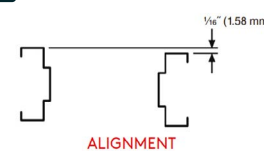
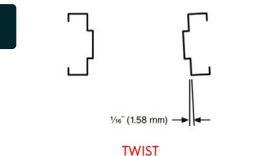


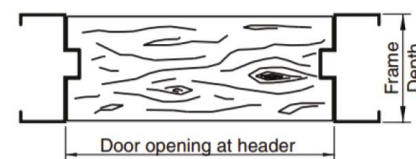
Fig. 5



Plumbing & Bracing:

- 1) Wood Spreaders (see Figure 6) The Contractor(s) responsible for installation shall have available a sufficient supply of wood spreaders for bracing frames. Spreader bars for shipping purposes shall not be used as installation spreaders.
- 2) Wood spreaders shall be square and fabricated from lumber no less than 1" (25.4mm) thick. The correct length is the door opening width between the jambs at the header (i.e., Single Door 3'-0" = 36" = 915 mm). Length tolerance is +1/16", -0" (+1.6 mm, -0). Cut clearance notches for frame stops. Spreader shall be nearly as wide as frame jamb depth for proper installation.

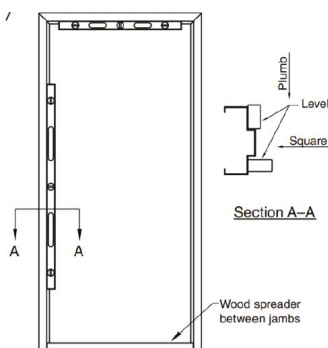
Fig. 6



- 3) Where welded frames are provided with spreader bars for shipping, they shall be removed with a suitable saw or chisel and filed flush before setting frames.

- 4) Figure 7 shows an example of proper frame plumbing & equipment used.

Fig. 7



Bracing the Frame:

- 1) Frame bracing shall be as shown in Figure 8, or shore to a structure above. It should be perpendicular to the intended wall.

Fig. 8



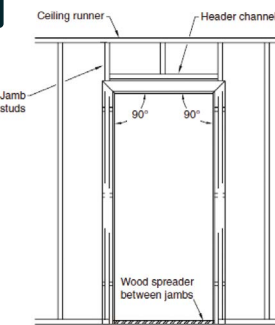
Positioning the Frame:

- 1) Set the frame in the desired location and level the header. Square jambs to header. Shim under jambs if necessary. With frame properly aligned, insert wood spreaders at bottom and mid-height and fasten jambs to floor through floor anchors.
- 2) Plumb and square jambs.

For Steel Stud wall construction - studs erected with frame:

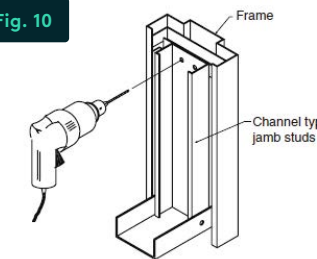
- 1) Attach jambs to floor through floor anchors.
- 2) Install jamb studs to floor, header channels, and ceiling runners butted tightly against frame anchors and properly positioned in frame throat for wallboard. See Figure 9.

Fig. 9



- 3) Nesting or overlapping stud joints or other wall construction practices that will increase the overall wall thickness beyond the intended finished thickness are to be avoided.
- 4) Attach jamb studs to anchors with screws or weld. If using screws, drill from the back side of the stud, through both the stud and anchor, then attach with (2) screws per anchor location (see Figure 10). Screws shall be #6 x 3/8" minimum steel sheet metal or self tapping type.

Fig. 10

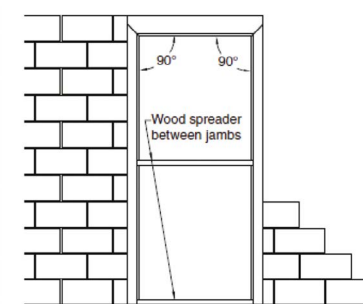


- 5) When attaching header stud to jamb studs, be sure the stud is above frame header. This will assure ample room for attaching plaster lath or drywall and will not interfere with installation of hardware attached to frame header.

For New Masonry Construction:

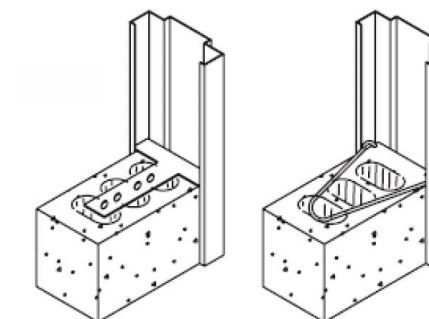
- 1) Erect, brace, square and plumb frame.
- 2) Fasten frame to floor through base anchors.
- 3) Set second spreader at the mid-height of the door opening to maintain the door opening size. See Figure 11:

Fig. 11



- 4) Install anchors (see Figure 12). Grout frame in the area of the anchors as block courses are laid up.
- 5) Continually check plumb and square as wall progresses.

Fig. 12



Welded Frames

For Existing Masonry Construction

- 1 Rough openings for existing wall, structural steel framing, or retrofit installations utilizing a butted to wall application shall be no less than 3/16" (4.8 mm) larger the frame on all three sides.
- 2 The installer is responsible for any shimming or aligning required. Gaps are normally sealed as part of the installation or caulking/painting process.
- 3 Refer to Architectural specifications for the appropriate sealant material to be used at fire or smoke control doors.
- 4 Slide frame into wall opening; install wood spreaders. Where possible, one jamb should be butted tightly to the wall.
- 5 Use tapered shims between anchors and wall and spreaders to maintain squareness and alignment of frame, and to maintain door opening sizes.
- 6 Drill appropriate size hole (per fastener manufacturer's instructions) for one-piece anchor bolts. Leave holes "rough" for added grip.
- 7 Backer rod or caulking shall be used where gaps occur between frame and wall.
- 8 Insert anchor bolts and tighten securely, checking for frame alignment periodically.
- 9 Install plugs to cover bolt heads (if so equipped). See Figures 13-15

Fig. 13

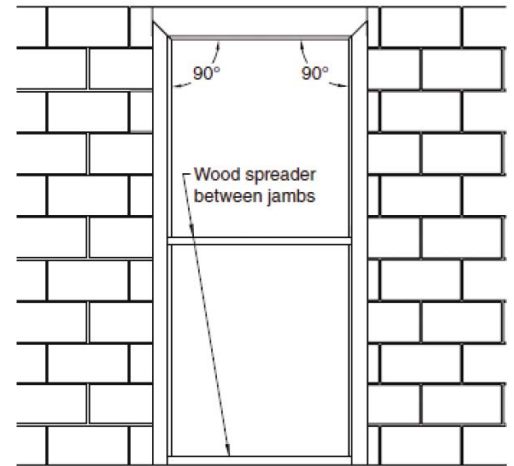


Fig. 14

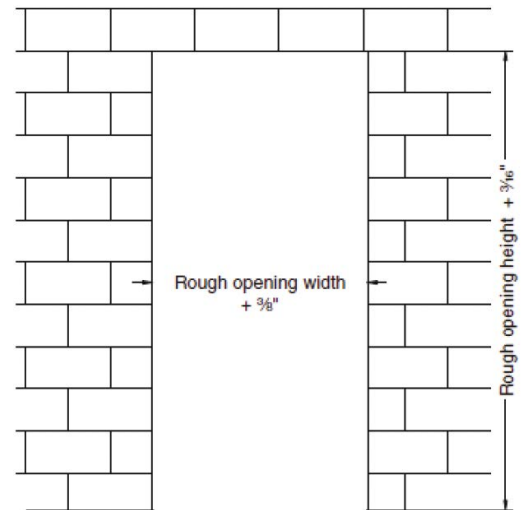


Fig. 15

