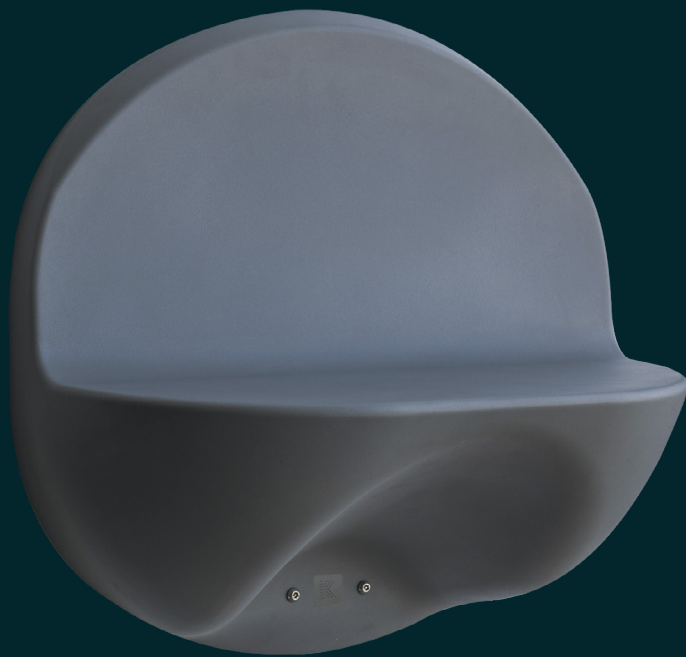


## PRODUCT DATASHEET

# KG28 Ligature-Resistant Wall Mounted Seat

The KG28 Wall Mounted Seat is a high-strength, ligature-resistant seating solution designed for patient use in behavioral healthcare environments, including washrooms, communal spaces, and more.

Rated to 800lbs, the KG28 delivers exceptional robustness in challenging environments and features a high-strength internal stainless steel frame that securely fixes the seat to the wall.



### Terms and conditions:

To see our full terms and conditions, please visit:  
[kingswaygroupglobal.com/en-us/terms](https://kingswaygroupglobal.com/en-us/terms)

## Anti-Microbial

To improve infection control in clinical spaces, the KG28 is manufactured from an anti-microbial material, and has been tested in line with ISO 22196:2011, achieving the following:

- S.aureus – Over 99.8% effective
- E.coli – Over 99.9% effective

## Installation Description

- Place out the location of the seat on the wall and mark for the screws
- Drill holes for screws provided, allowing for anchors to suit wall construction type
- Attach the metal frame securely to the wall
- Place the exterior seat casing onto the metal frame and push to secure into position
- Fix the seat to the metal frame using the screws provided
- Seal the outer perimeter with pick-resistant caulk (not supplied)

## Maintenance and Cleaning

### Maintenance

Periodically check edging of casing and the two visible fixing bolts to ensure the product is securely fastened to the wall.

### Cleaning

Should be cleaned as part of regular schedule using mild (non-abrasive) detergents. Avoid acidic cleaners.

## Warranty

### 1 Year Manufacturer's Defect Warranty\*

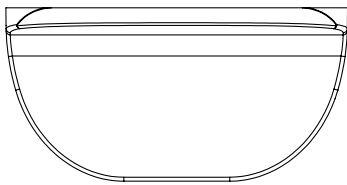
\*For faulty manufacture and not for damage

### Specification

KG28 Ligature Resistant Wall Mounted Seat

PRODUCT DIAGRAM

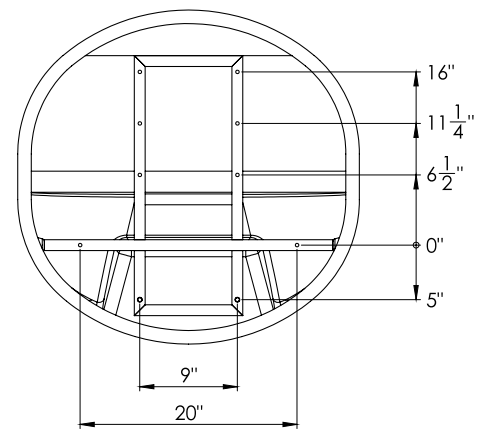
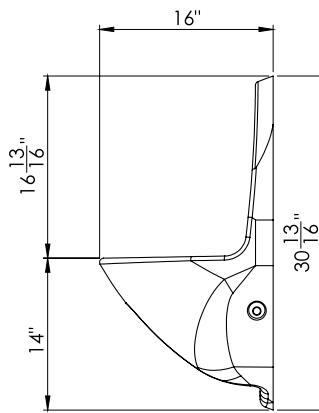
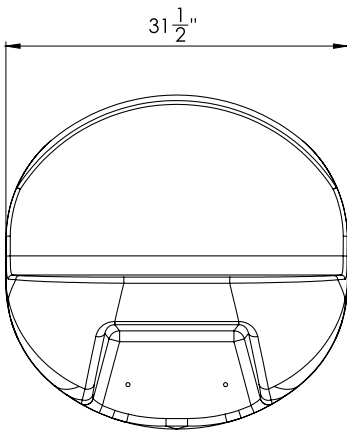
# KG28 Ligature-Resistant Wall Mounted Seat



**Patent Information**

Patent No.: US D895, 922 S

Date of Patent: \*\*Sep. 15. 2020



**Terms and conditions:**

To see our full terms and conditions, please visit: [kingswaygroupglobal.com/en-us/terms](https://kingswaygroupglobal.com/en-us/terms)