

PRODUCT DATASHEET

SERENITY Interactive Panel

The SERENITY wellness panel utilizes the latest technology to support patient well-being in behavioral healthcare environments. Operated by an attack-resistant, ligature-resistant touchscreen, SERENITY's bespoke software features a range of therapeutic applications designed to aid relaxation & de-escalation, support routine & planning, and provide patients with an enhanced sense of control within challenging environments.



Terms and conditions:

To see our full terms and conditions, please visit:
kingswaygroupglobal.com/en-us/terms

SERENITY Key Features & Benefits

Service User Benefits

- 'Check-in' tool to encourage proactive communication with care teams
- 'Schedule' tool to assist routine & planning
- Therapeutic apps & games to aid relaxation & de-escalation
- Customizable user interface to personalize the care setting
- Integrated lighting system with circadian rhythm function to promote well-being
- View personal photos & videos or relax to therapeutic 'Roomscapes'
- Integrated speaker system for music & video (low powered with staff override controls)
- No cameras or microphones to alleviate patients' privacy concerns
- High-strength, ligature-resistant design for enhanced safety

Staff Benefits

- Remotely accessed staff-only control panel for complete control over all SERENITY units within the ward
- Filter content for each SERENITY unit to ensure suitability for individual patients
- Gain greater insight into how a patient is feeling to promote proactive intervention
- Provide patients with ward-related information such as timetables & agendas
- Easily transfer a patient's info from one SERENITY unit to another if a patient moves rooms
- Remotely enable/disable individual SERENITY units including sound and lighting functions
- Intuitively upload files such as photos or videos for a service user to view

COMPLETE DOOR SYSTEM DATASHEET

SERENITY Interactive Panel

Technical Specs

Screen:

- 32" capacitive touchscreen display
 - 3/8" Trident attack-resistant glazing
 - Custom SERENITY Software
 - Horizontal orientation
-

Weight:

- 111lbs

Frame:

- Surface mounted unit
- Powder coated stainless steel housing
- Powder coated mild steel mounting frame

Hardware:

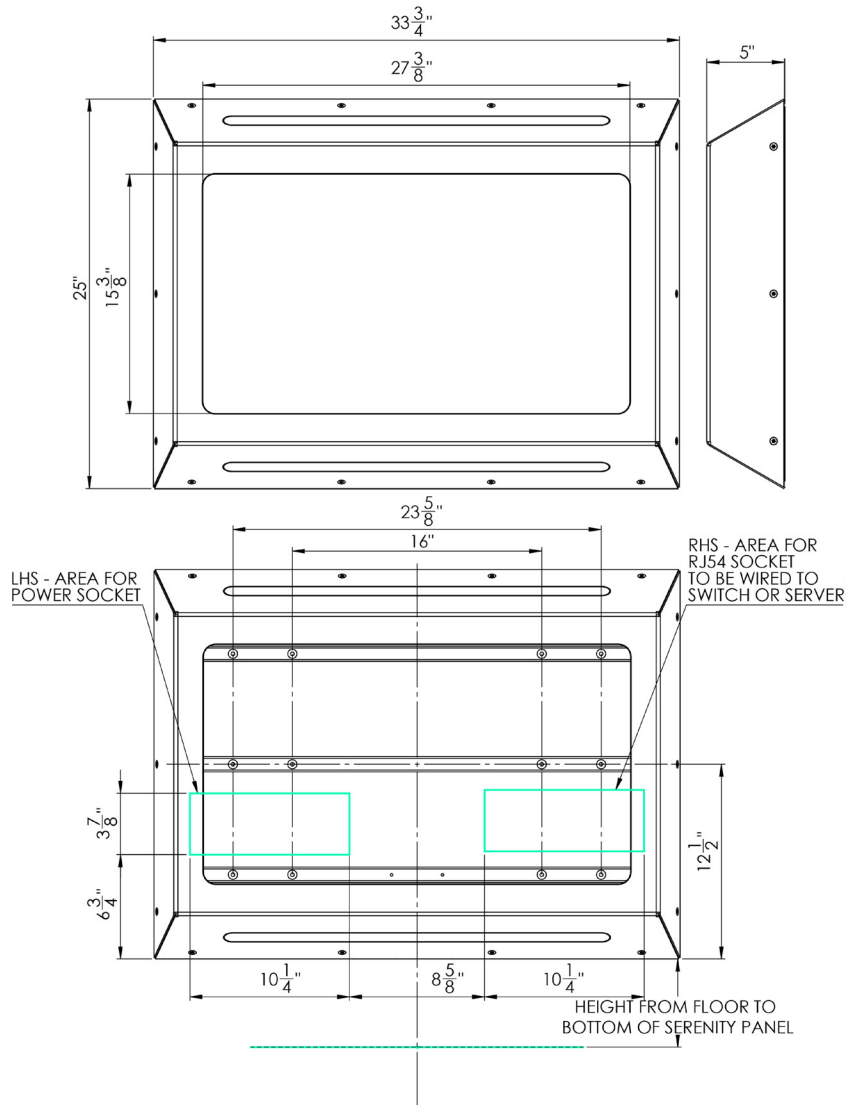
- Integrated lighting system (with remote staff-only override control)
- Integrated speaker (with remote staff-only override control)

Terms and conditions:

To see our full terms and conditions, please visit: kingswaygroupglobal.com/en-us/terms

PRODUCT DIAGRAM

SERENITY Interactive Panel



Terms and conditions:

To see our full terms and conditions, please visit: kingswaygroupglobal.com/en-us/terms



Your Partner in Patient Safety

The best ideas always
start as conversations

2967 Dundas St. W. #1812,
Toronto, ON M6P 1Z2

1-800-783-7980
sales@kingswaygroupusa.com

kingswaygroupglobal.com