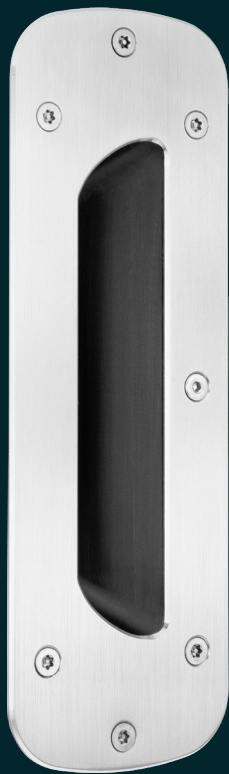


PRODUCT DATASHEET

KG80 Recessed Pull Handle

The KG80 Recessed Pull Handle is a ligature-resistant pull handle for doors featuring a curved recessed section that gives excellent grip to the user. The handle's slim, flush-mounted profile and ligature-resistant design make it ideal for use in patient areas.



Terms and conditions:

To see our full terms and conditions, please visit:
kingswaygroupglobal.com/en-us/terms

Your Partner in Patient Safety

Installation Description

- Mark out the face prep and fixing holes by placing the handles on the door, making sure that the face of the handle is flat on the door
- Mortise the face prep into the door leaf to a suitable depth to ensure the handle fits correctly
- Fix the handle in place using the countersunk security screws supplied

Maintenance and Cleaning

Maintenance

Periodic checks should be made to the fixings to ensure they remain tight and that they have not been tampered with.

Cleaning

Handles should be cleaned using a non-abrasive sanitizing agent. Abrasive cleaning cloth and agents should be avoided.

Special care should be given when cleaning the recessed section to ensure it is kept free from dirt.

Warranty

1 Year Manufacturer's Defect Warranty*

*For faulty manufacture and not for damage

Specification

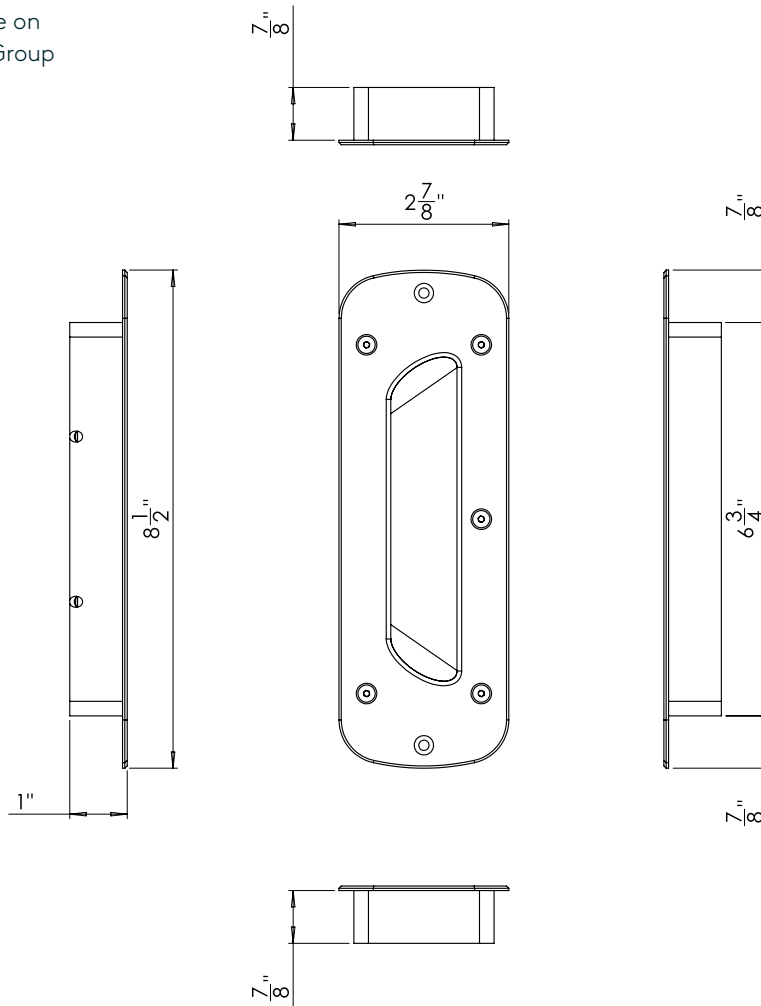
KG80 Recessed Pull Handle dispenser with sloped top

PRODUCT DIAGRAM

KG80 Recessed Pull Handle

Note:

Door Prep Template available on request. Contact Kingsway Group for more information.



Terms and conditions:

To see our full terms and conditions, please visit: kingswaygroupglobal.com/en-us/terms