

PRODUCT DATASHEET

KG60 Classic Grip Pull Handle (on Backplate)

The Classic Grip is a solid ligature-resistant handle with a large finger grip area to aid those with impaired manual dexterity. Shaped to resist ligature attachment and for greater infection control, the KG60 handle is supplied on a large chamfered backplate with radiused ends and countersunk fixing holes.



Terms and conditions:

To see our full terms and conditions, please visit:
kingswaygroupglobal.com/en-us/terms

Your Partner in Patient Safety

Installation Description

- If a KG61 Classic Grip Pull Handle (through-bolt fixed) is being fitted to the other side of the door, install that handle first before installing KG60 Classic Grip Pull on Backplate
- Mark out the 4x fixing holes by placing the handle on the door, making sure the backplate is flat on the door
- Pilot the 4x fixing holes then fix the handle in place using the 4x countersunk security screws supplied

Maintenance and Cleaning

Maintenance

Periodic checks should be made to ensure the handle is free from damage and any signs of tampering and that the fixings remain securely fastened.

Cleaning

Handles should be cleaned using a non-abrasive sanitizing agent. Abrasive cleaning cloth and agents should be avoided.

Warranty

1 Year Manufacturer's Defect Warranty*

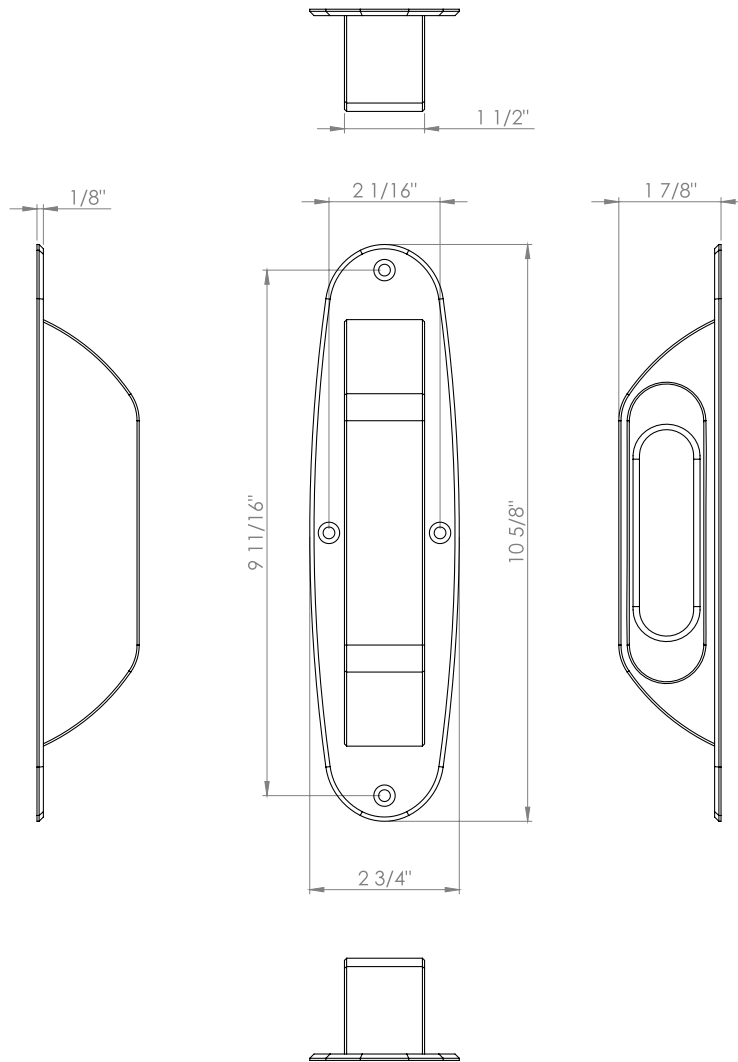
*For faulty manufacture and not for damage

Specification

KG60 Anti-ligature surface mounted Classic Grip pull handle on backplate with security screws

PRODUCT DIAGRAM

KG60 Classic Grip Pull Handle (on Backplate)



Terms and conditions:

To see our full terms and conditions, please visit: kingswaygroupglobal.com/en-us/terms