

PRODUCT DATASHEET

KG41 Ergo Grip Pull Handle (Bolt Fixed)

The KG41 Ergo Grip is a stylish ligature-resistant pull handle designed for use in behavioral health environments to minimize the risk of patient self-harm. The handle offers excellent grip and durability in challenging environments and benefits from no visible fixings. Supplied with security fixings.



Terms and conditions:

To see our full terms and conditions, please visit:
kingswaygroupglobal.com/en-us/terms

Your Partner in Patient Safety

Installation Description

- Mark out the location of the 2x fixing holes on the door
- Drill the fixing holes
- Secure the handle in place using the 2x security fixings

Maintenance and Cleaning

Maintenance

Periodic checks should be made to ensure the handle is free from damage and any signs of tampering and that the fixings remain securely fastened.

Cleaning

Handles should be cleaned using a non-abrasive sanitizing agent. Abrasive cleaning cloth and agents should be avoided.

Warranty

1 Year Manufacturer's Defect Warranty*

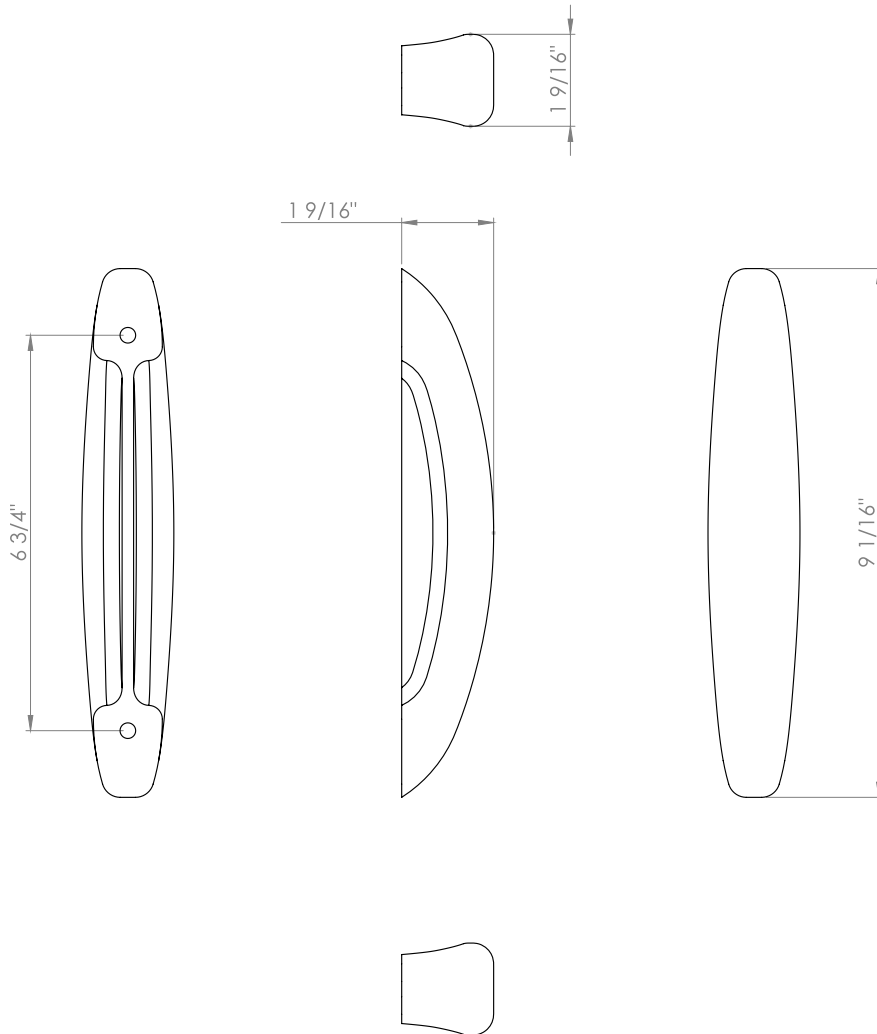
*For faulty manufacture and not for damage

Specification

KG41 Ergo Grip Pull Handle Bolt Fixed

PRODUCT DIAGRAM

KG41 Ergo Grip Pull Handle (Bolt Fixed)



Terms and conditions:

To see our full terms and conditions, please visit: kingswaygroupglobal.com/en-us/terms