

## PRODUCT DATASHEET

# KG40 Ergo Grip Pull Handle (on Backplate)

The KG40 Ergo Grip is a stylish ligature-resistant pull handle designed for use in behavioral health environments to minimize the risk of patient self-harm. The handle offers excellent grip and durability in challenging environments and features a large radiused finger plate with chamfered edges and countersunk fixing holes. Supplied with security fixings.



### Terms and conditions:

To see our full terms and conditions, please visit:  
[kingswaygroupglobal.com/en-us/terms](https://kingswaygroupglobal.com/en-us/terms)

# Your Partner in Patient Safety

## Installation Description

- If a KG41 Ergo Grip Pull Handle (through-bolt fixed) is being fitted to the other side of the door, install that handle first before continuing
- Mark out the 4x fixing holes by placing the handle on the door, making sure the backplate is flat on the door
- Pilot the 4x fixing holes then fix the handle in place using the 4x countersunk security screws supplied

## Maintenance and Cleaning

### Maintenance

Periodic checks should be made to ensure the handle is free from damage and any signs of tampering and that the fixings remain securely fastened.

### Cleaning

Handles should be cleaned using a non-abrasive sanitizing agent. Abrasive cleaning cloth and agents should be avoided.

## Warranty

### 1 Year Manufacturer's Defect Warranty\*

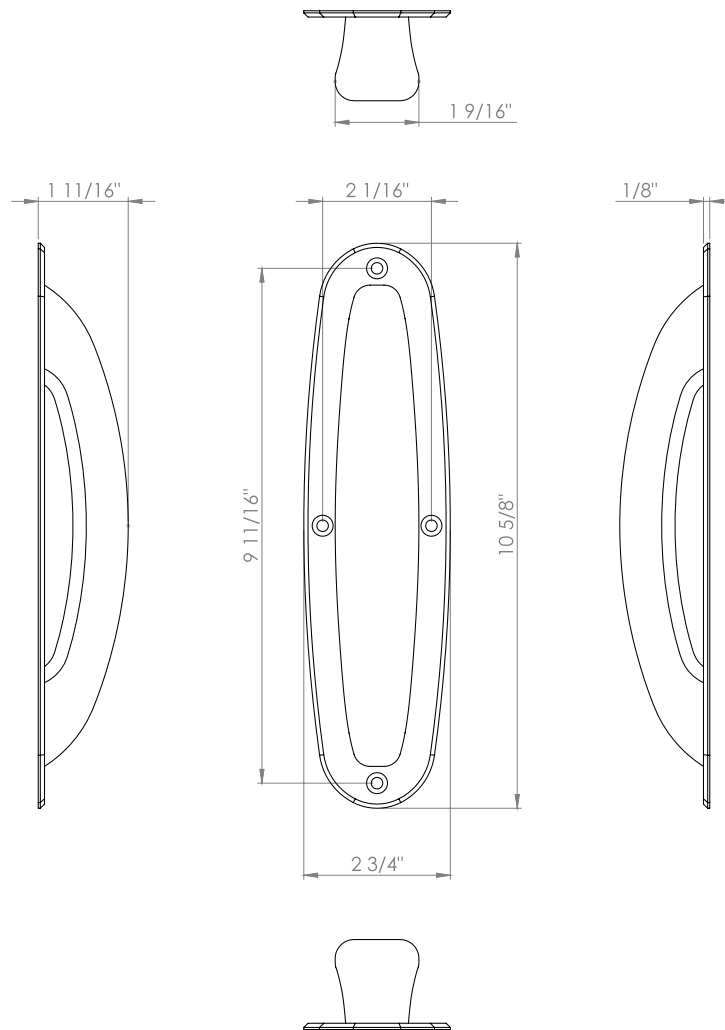
\*For faulty manufacture and not for damage

### Specification

KG40 ligature-resistant surface mounted Ergo Grip pull handle on backplate with security screws

PRODUCT DIAGRAM

# KG40 Ergo Grip Pull Handle (on Backplate)



**Terms and conditions:**

To see our full terms and conditions, please visit: [kingswaygroupglobal.com/en-us/terms](https://kingswaygroupglobal.com/en-us/terms)