

PRODUCT DATASHEET

KG15 Ligature-Resistant Recessed Paper Towel Shelf

A recessed shelf designed to hold paper towels in behavioral health washrooms. The unit is manufactured from high-grade stainless steel and is ligature-resistant by design to improve patient safety. Supplied with security screws for installation.



Terms and conditions:

To see our full terms and conditions, please visit:
kingswaygroupglobal.com/en-us/terms

Installation Description

- Mark out and remove the cut-out needed for the recess of the shelf
- Place the shelf in the cut-out and mark out the screw hole locations
- Drill holes for the provided screws and insert suitable anchors
- Secure the shelf to the wall using the security screws provided

We recommend that you apply pick-resistant security sealant around the perimeter of the unit.

Operation and Maintenance

Operation

Paper towels can be placed on the washroom shelf providing a robust and safe solution in high-risk areas.

Maintenance

Care should be taken to ensure that all screws are secure and free of signs of tampering.

Cleaning

Should be cleaned as part of regular schedule using mild (non-abrasive) detergents. Avoid acidic cleaners.

Guarantee

3 Year Guarantee*

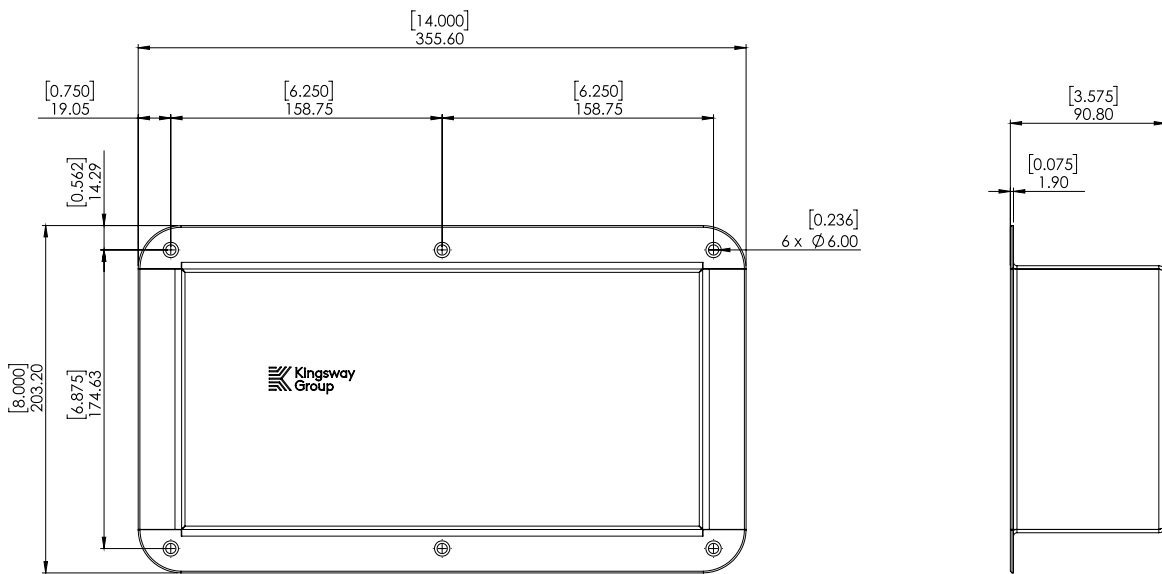
*For faulty manufacture and not for damage

Specification

KG15 Recessed Paper Towel Shelf

PRODUCT DIAGRAM

KG15 Ligature-Resistant Recessed Paper Towel Shelf



Terms and conditions:

To see our full terms and conditions, please visit: kingswaygroupglobal.com/en-us/terms