

PRODUCT DATASHEET

KG03 Toilet Roll Holder

A surface-mounted toilet roll holder that is secure, effective and ligature-resistant by design. The unit is manufactured from 14GA 316 grade stainless steel for maximum corrosion resistance and secured with tamper-resistant screws.



Terms and conditions:

To see our full terms and conditions, please visit:
kingswaygroupglobal.com/en-us/terms

Installation Description

- Place the unit on the wall and mark out the screw hole locations
- Drill holes for the provided screws and insert suitable anchors
- Secure the toilet roll holder to the wall using the security screws provided

We recommend that you apply pick-resistant security sealant around the perimeter of the unit.

Operation and Maintenance

Operation

Place a toilet roll in to the opening and locate it so that it is locked in both dimples, allowing the toilet roll to rotate. Care should be taken that the correct size roll is purchased, otherwise it will result in poor performance.

Maintenance

Periodic checks should be made to the screws to ensure that they are secure and that there are no signs of damage or tampering.

Cleaning

Should be cleaned as part of regular schedule using mild (non-abrasive) detergents. Avoid acidic cleaners.

Guarantee

3 Year Guarantee*

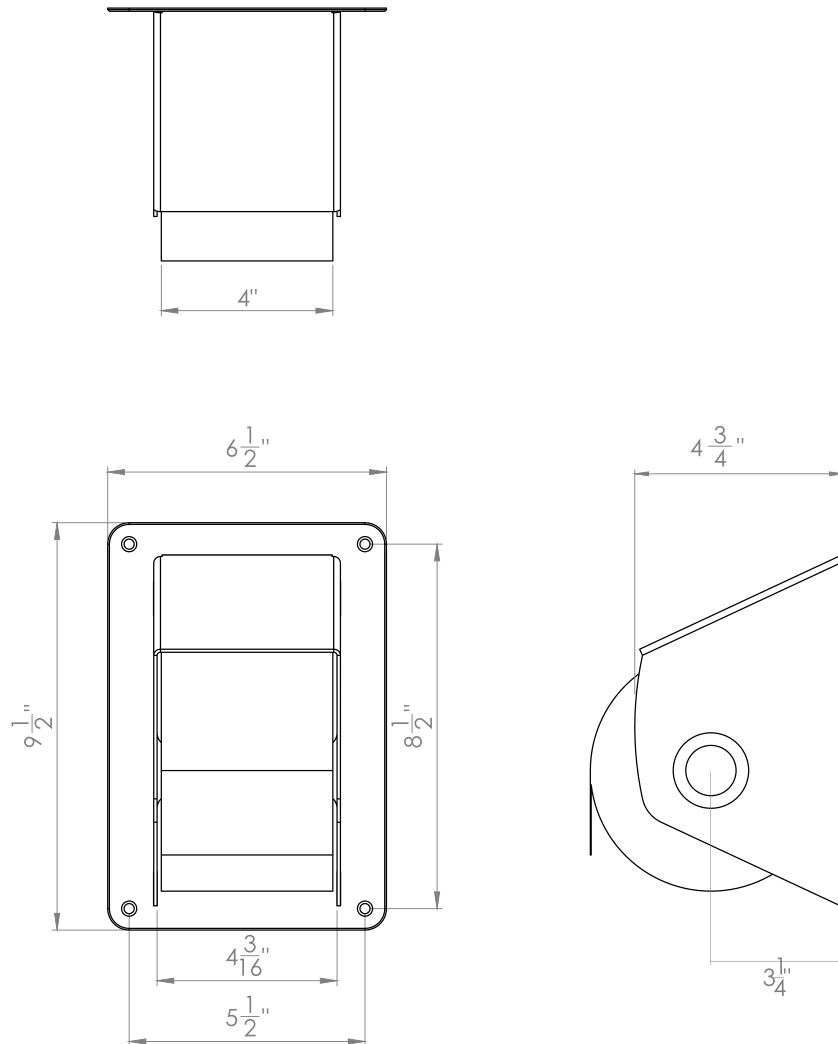
*For faulty manufacture and not for damage

Specification

KG03.4 Surface Mounted Single Toilet Roll Holder, for 4" Wide rolls

PRODUCT DIAGRAM

KG03 Toilet Roll Holder



Terms and conditions:

To see our full terms and conditions, please visit: kingswaygroupglobal.com/en-us/terms