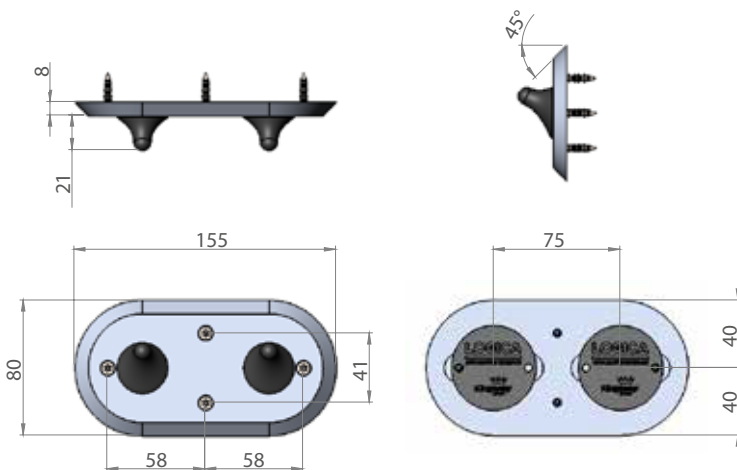
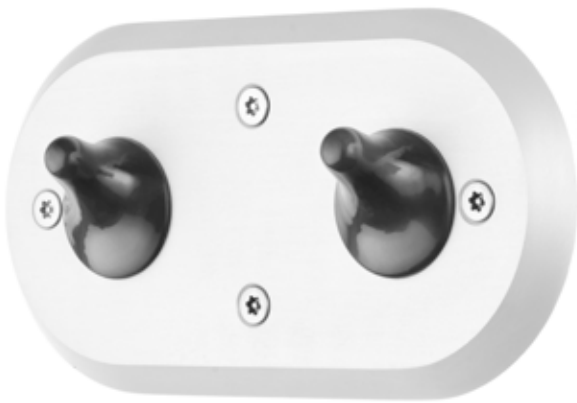


Product datasheet

Kingsway  
Group

## KG177 Anti-Ligature Dual Coat Hook Rack



### Anti-ligature Disclaimer

Anti-ligature Disclaimer The anti-ligature design characteristics of this product are not intended to replace or substitute the need for necessary supervision of those who may be at risk, or for other necessary protective measures to be taken in the specific circumstances of usage. Kingsway Group, Inc. does not offer any products for sale as being 'ligature-free' and will not be liable for any claims arising from ligature attachment on its products. It is the customer's responsibility to ensure that products purchased and installed are suitable for the environments they are installed in.

The coat and towel holder has a flexible rubber hook which is fixed with stainless steel surround and has a low load release threshold. Made from a low shore rating rubber with a high silicone content and fixed by four security screws that pass through both the stainless steel surround and the rubber.

### Installation Description

- Mark out the four fixing holes using the template provided
- Drill all fixing holes using suitable wall plugs where necessary
- Secure in place using the four security screws provided

### Operation and Maintenance

#### Operation

Designed for garment and towels up to 15kgs in weight secured using four security screws.

#### Maintenance

Periodic checks should be made to ensure the screws remain tight and that the rubber has not been damaged.

#### Cleaning

Cleaning should only be done with a damp cloth and cleaning detergents should be avoided.

### Guarantee

#### 5 Year Guarantee\*

\*For faulty manufacture and not for damage

#### Specification

KG177 Anti-Ligature Dual Coat Hook Rack