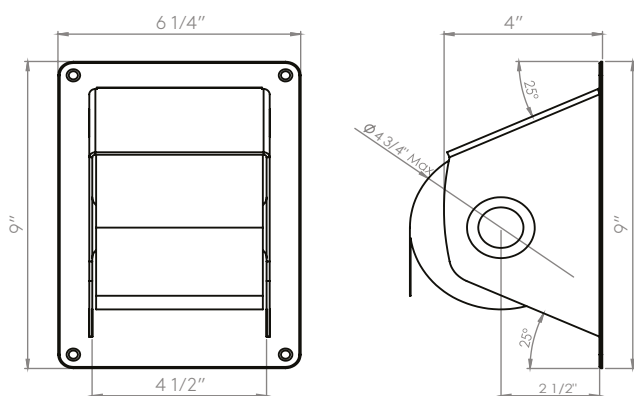
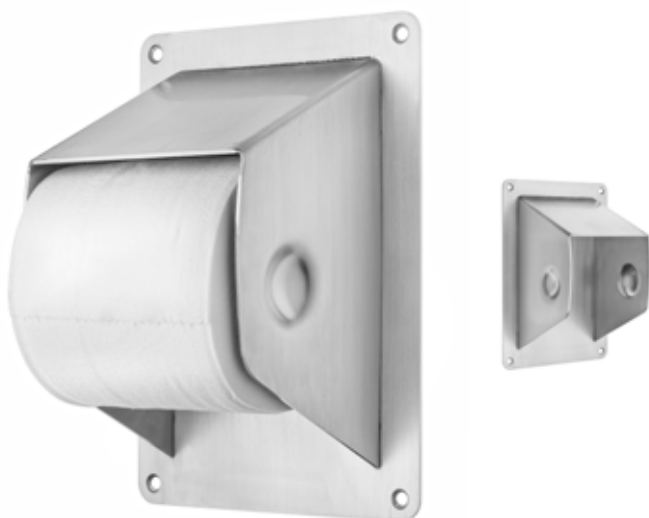


Product datasheet

Kingsway  
Group

## KG03 Toilet Roll Holder



### Anti-ligature Disclaimer

Anti-ligature Disclaimer The anti-ligature design characteristics of this product are not intended to replace or substitute the need for necessary supervision of those who may be at risk, or for other necessary protective measures to be taken in the specific circumstances of usage. Kingsway Group, Inc. does not offer any products for sale as being 'ligature-free' and will not be liable for any claims arising from ligature attachment on its products. It is the customer's responsibility to ensure that products purchased and installed are suitable for the environments they are installed in.

The surface mounted toilet roll holder, secure, effective and anti-ligature by design. Manufactured from 316 grade stainless steel for maximum corrosion resistance and secured with anti-tamper screws.

### Installation description

- Mark out the location of the dispenser
- Drill and plug holes to a suitable depth
- Secure in place using the security screws provided
- We recommend that you caulk around all sides with tamper proof security sealant

### Operation and Maintenance

#### Operation

Place a toilet roll in to the opening and locate it so that it is locked in to both dimples allowing the toilet roll to rotate. Care should be taken that the correct size roll is purchased otherwise it will result in poor performance.

#### Maintenance

Periodic checks should be made to the screws to ensure that they are secure and that there are no signs of damage or tampering.

#### Cleaning

Use only a damp cloth to clean the dispenser, where necessary a mild detergent can be used.

### Guarantee

#### Five Year Guarantee\*

\*For faulty manufacture and not for damage

#### Specification

KG03 Surface Mounted Toilet Roll Holder