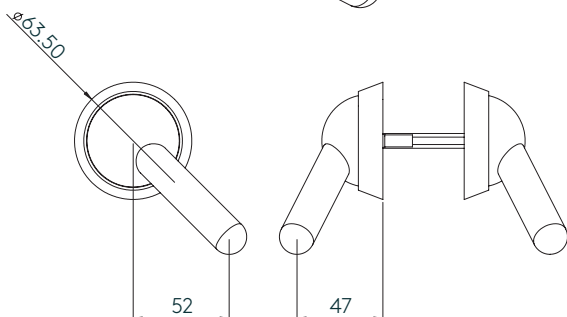
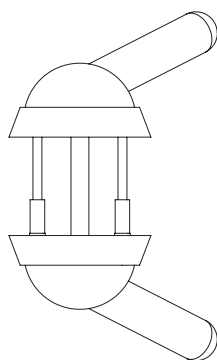


Product datasheet

Kingsway
Group

KG90 Lever Handles



Anti-ligature Disclaimer

Anti-ligature Disclaimer The anti-ligature design characteristics of this product are not intended to replace or substitute the need for necessary supervision of those who may be at risk, or for other necessary protective measures to be taken in the specific circumstances of usage. Kingsway Group, Inc. does not offer any products for sale as being 'ligature-free' and will not be liable for any claims arising from ligature attachment on its products. It is the customer's responsibility to ensure that products purchased and installed are suitable for the environments they are installed in.

A slim design 45° bolt fixed lever set which is also suitable for use with the elderly and less able made from compact stainless steel. Designed to meet the need for providing an anti ligature solution for latch door furniture with a smooth finish and neat design with no visible fixings. 8mm spindle for use with sprung lockcases.

Installation Description

- Mark out the location of the mechanism and drill the three holes, one for the 8mm spindle and two for the fixings.
- Once the lock case has been installed in the door you can place the lever handles on the door with an 8mm spindle protruding from it and locating in to the 8mm follower, making sure the holes through the door are wide enough to take the two weld studs for the M5 fixings.
- Place the other handle on the other side of the door so that it locates on to the 8mm spindle. Make sure the spindle is locating properly in to the 8mm recess whilst not protruding so much that it hinders the function. This is fixed securely using the two M5 security bolts that pass through the lock and into the weld studs on the other lever handle.

Operation and Maintenance

Maintenance

The Lever handles are largely maintenance free. Periodic checks should be made to the fixings that they remain tight and that they have not been tampered with.

Cleaning

Cleaning of the Lever handles should be with a damp cloth. Cleaning agents should be avoided.

Guarantee

5 Year Guarantee*

*For faulty manufacture and not for damage

Specification

KG90 Lever Handles