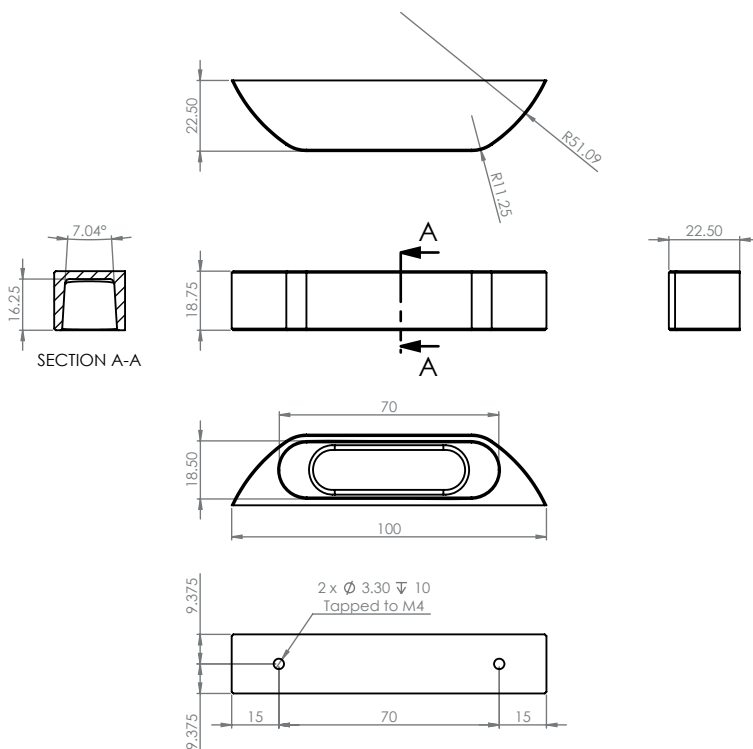


Product datasheet

Kingsway Group

KG62 ClassicGrip Cabinet Pull



Anti-ligature Disclaimer

Anti-ligature Disclaimer The anti-ligature design characteristics of this product are not intended to replace or substitute the need for necessary supervision of those who may be at risk, or for other necessary protective measures to be taken in the specific circumstances of usage. Kingsway Group, Inc. does not offer any products for sale as being 'ligature-free' and will not be liable for any claims arising from ligature attachment on its products. It is the customer's responsibility to ensure that products purchased and installed are suitable for the environments they are installed in.

The ClassicGrip Cabinet Pull is a solid handle that is a micro version of the KG61 ClassicGrip Pull Handle. It is intended for use as an anti-ligature solution for cabinets and wardrobes in bedrooms where ligature resistant solutions are required. It is shaped to resist ligature attachment and designed for better infection control.

Installation Description

- Mark out the two bolt holes
- Drill the holes using a 10mm bit
- Attach the handle to the door using the two countersunk bolt supplied

Operation and Maintenance

Operation

The Classic Grip has been designed to allow a good grip area for three fingers and the thumb to give a positive grip for ease when opening draws and cupboards.

Maintenance

The Classic Grip Cabinet Pull is largely maintenance free. Periodic checks should be made to the fixings that they remain tight and that they have not been tampered with.

Cleaning

Cleaning of the ClassicGrip Cabinet Pulls should be with a damp cloth. Cleaning agents should be avoided.

Guarantee

5 Year Guarantee*

*For faulty manufacture and not for damage

Specification

KG62 ClassicGrip Cabinet Pull