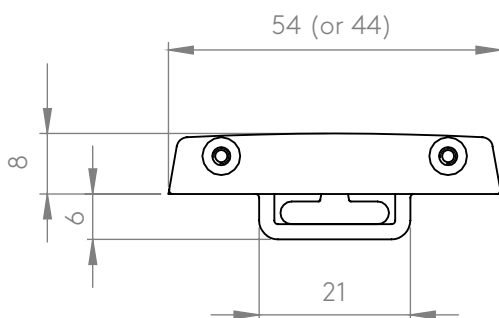
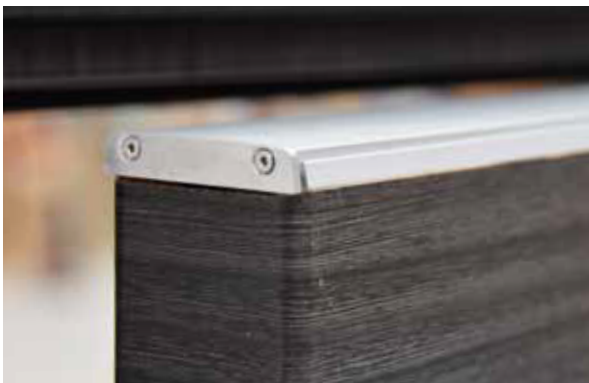


Product datasheet

Kingsway  
Group

## KG500 Door Top Monitor



### Anti-ligature Disclaimer

Anti-ligature Disclaimer The anti-ligature design characteristics of this product are not intended to replace or substitute the need for necessary supervision of those who may be at risk, or for other necessary protective measures to be taken in the specific circumstances of usage. Kingsway Group, Inc. does not offer any products for sale as being 'ligature-free' and will not be liable for any claims arising from ligature attachment on its products. It is the customer's responsibility to ensure that products purchased and installed are suitable for the environments they are installed in.

The Door Top Monitor provides a solution to alert staff when a ligature or object is hanging or trapped in the top of the door. Using new technology to provide complete protection across the entire width of the door the Door Top Monitor sets new standards in patient safety.

### Installation Description

- Rout out 7mm by 21mm section of door top
- Pin Door Top Monitor onto the door and put sensor and upper profile in place
- Feed cables through the hinge into the door frame and terminate in the DTM transformer
- Screw end cap into place

### Operation and Maintenance

#### Operation

Use door as normal with DTM installed.

#### Maintenance

Care should be taken to ensure that the DTM remains functional and free from signs of damage.

#### Cleaning

Use only a damp cloth to clean the DTM, where necessary a mild detergent can be used.

### Guarantee

#### 5 Year Guarantee

\*For Faulty Manufacture And Not For Damage

#### Specification

KG500 Door Top Monitor