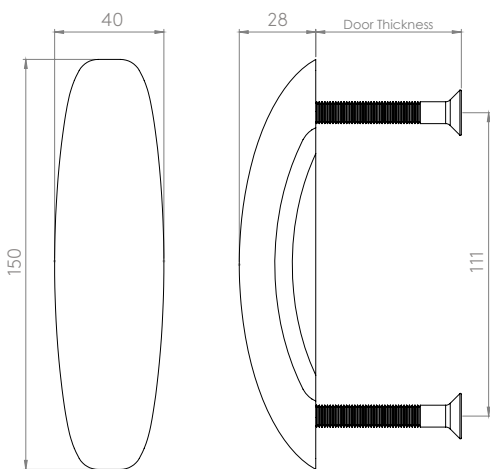


Product datasheet

Kingsway
Group

KG31 Easy Grip Pull Handle



Anti-ligature Disclaimer

Anti-ligature Disclaimer The anti-ligature design characteristics of this product are not intended to replace or substitute the need for necessary supervision of those who may be at risk, or for other necessary protective measures to be taken in the specific circumstances of usage. Kingsway Group, Inc. does not offer any products for sale as being 'ligature-free' and will not be liable for any claims arising from ligature attachment on its products. It is the customer's responsibility to ensure that products purchased and installed are suitable for the environments they are installed in.

The Easy Grip pull handle is a compact handle that has a shaped back plate to enhance appearance and create a modern environment. It has been designed to give excellent grip yet remain safe for installation in all user group areas.

Installation Description

- Mark out the cut out area in the door and remove with a router.
- Mark out the four fixing holes by placing the handle on the door making sure that the face of the handle is flat on the door.
- Fix the handle in place using the 4 countersunk security screws.

Operation and Maintenance

Operation

Periodic checks should be made to the fixings that they remain tight and that they have not been tampered with.

Maintenance

Cleaning of handles should be with a damp cloth. Cleaning agents should be avoided.

Guarantee

5 Year Guarantee*

*For faulty manufacture and not for damage

Specification

KG31 Easy Grip Pull Handle