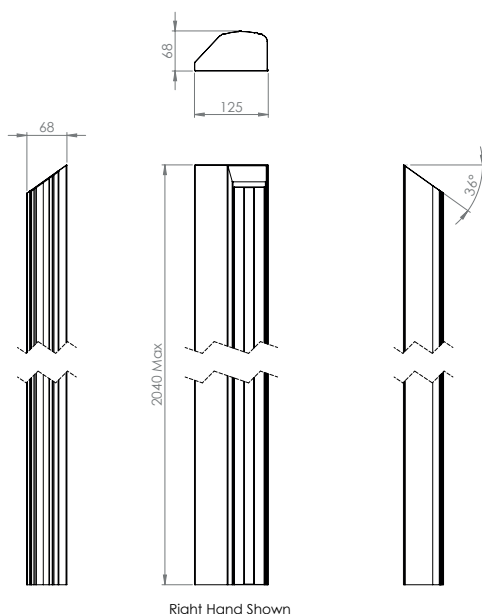
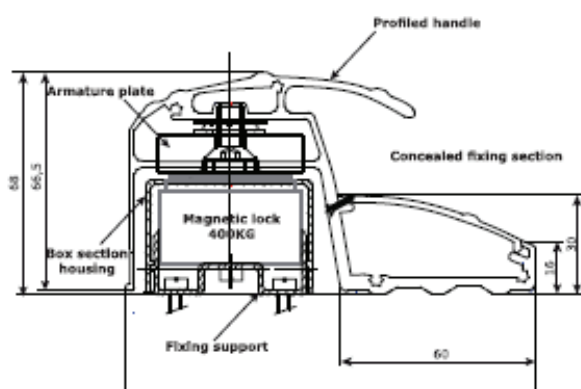


Product datasheet

Kingsway Group

## KG222 Architectural Mag Lock Housing



### Anti-ligature Disclaimer

Anti-ligature Disclaimer The anti-ligature design characteristics of this product are not intended to replace or substitute the need for necessary supervision of those who may be at risk, or for other necessary protective measures to be taken in the specific circumstances of usage. Kingsway Group, Inc. does not offer any products for sale as being 'ligature-free' and will not be liable for any claims arising from ligature attachment on its products. It is the customer's responsibility to ensure that products purchased and installed are suitable for the environments they are installed in.

The KG222 Architectural Housing contains three 400kg mag locks to provide a 1200kg overall holding force. The product is mounted on the complete length of the closing edge of a single action door and provides a robust solution where security is a key consideration.

### Installation description

- Only supplied as part of a Kingsway doorset factory installed.

### Operation and Maintenance

#### Operation

The operation of the KG222 can be by any device that turns off the power to the unit. This could be either a wall mounted switch, a staff fob or a fire alarm. When the power is turned off the magnets can be separated allowing the door to open.

#### Maintenance

Whilst very little is required to maintain the unit periodic checks should be made to ensure the door has not dropped or been tampered with as alignment of the door and frame are critical for the lock to function correctly. Visual checks to ensure the mag locks have not be tampered with or the wiring disturbed are essential.

### Guarantee

#### 10 Year Guarantee\*

\*For faulty manufacture and not for damage

#### Specification

KG222 Architectural Mag Lock Housing

### Technical Data

#### Voltage

12 or 24v

#### Power Consumption

1500mA at 12v (500ma per lock)  
750 mA at 24v (250mA per lock)