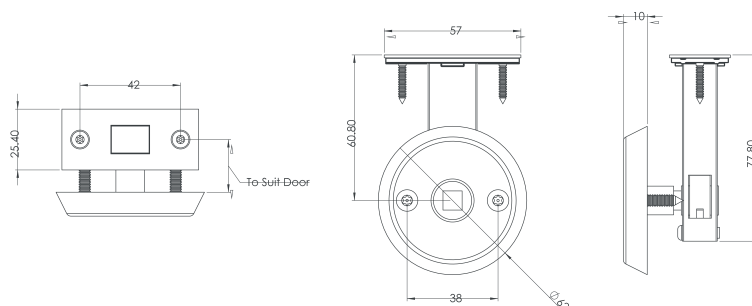


Product datasheet

Kingsway
Group

KG220 Quarter Turn Deadbolt



Anti-ligature Disclaimer

Anti-ligature Disclaimer The anti-ligature design characteristics of this product are not intended to replace or substitute the need for necessary supervision of those who may be at risk, or for other necessary protective measures to be taken in the specific circumstances of usage. Kingsway Group, Inc. does not offer any products for sale as being 'ligature-free' and will not be liable for any claims arising from ligature attachment on its products. It is the customer's responsibility to ensure that products purchased and installed are suitable for the environments they are installed in.

The Security Bolt is fitted inside half leaf doors to provide a secure alternative to flush bolts. It is operated using an 8mm square key drive and has a 15mm throw for maximum security.

Installation description

- Mark out the area where the bolt is to be fitted and drill out for the bolt, taking care to stay within the marked out square area then square the hole up with a chisel.
- Insert the bolt and mark out for the square end plate then cut out this to the required depth.
- Drill out for the key access to the face of the door and insert the spindle and then fix the front cover.

Operation and Maintenance

Operation

Operated using the 8mm square key to either throw or retract the bolt in half leaf doors.

Maintenance

Periodic checks should be made to ensure the bolt hasn't been damaged or become loose. Light lubricant can be used if the action has become stiff.

Cleaning

Cleaning of security bolt should be with a damp cloth. Cleaning agents should be avoided.

Guarantee

5 Year Guarantee*

*For faulty manufacture and not for damage.

Specification

KG220 Quarter Turn Deadbolt.