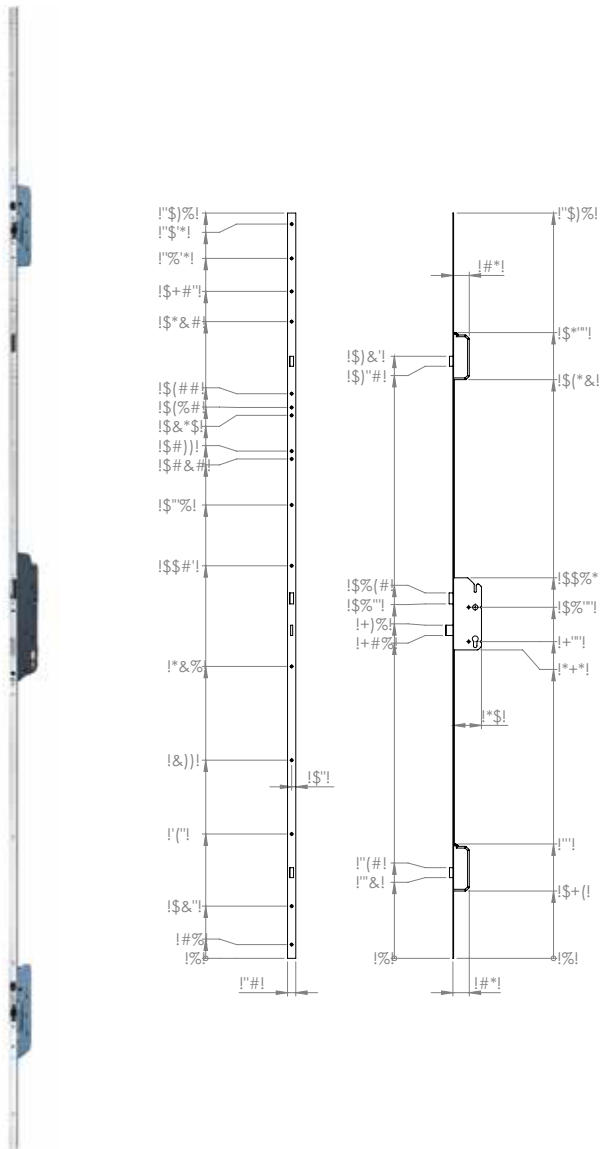


Product datasheet

Kingsway Group

KG218 High Secure 3-Point Locking System



Anti-ligature Disclaimer

Anti-ligature Disclaimer The anti-ligature design characteristics of this product are not intended to replace or substitute the need for necessary supervision of those who may be at risk, or for other necessary protective measures to be taken in the specific circumstances of usage. Kingsway Group, Inc. does not offer any products for sale as being 'ligature-free' and will not be liable for any claims arising from ligature attachment on its products. It is the customer's responsibility to ensure that products purchased and installed are suitable for the environments they are installed in.

3 point locks are a high secure solution for auto locking doors. They are the ultimate choice for seclusion room doors providing both a rapid and secure solution.

Installation description

- Mark out the three lockcase positions and cut recesses in to the door.
- Rout out door edge to fit the full length face plate
- Fix in place using the security fixings.

Operation and Maintenance

Operation

Auto locks when closed and operation by use of cylinder. Locks in three places on the door and operational by a central euro cylinder.

Maintenance

Periodic checks should be made to ensure the fixings remain tight and that the latches are fully locating.

Cleaning

Cleaning of the 3 point lock should be with a damp cloth. Cleaning agents should be avoided. Light grease can be used if the action has become stiff.

Guarantee

5 Year Guarantee*

*For faulty manufacture and not for damage

Specification

KG218 High Secure 3-Point Locking System