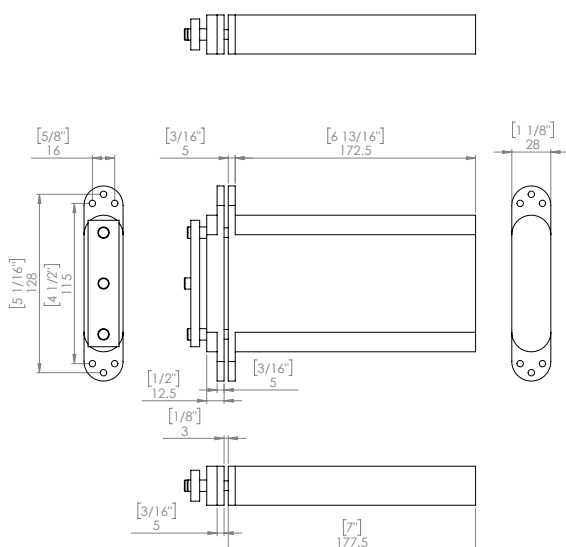


Product datasheet

Kingsway
Group

KG21 Recessed Side Closer



Anti-ligature Disclaimer

Anti-ligature Disclaimer The anti-ligature design characteristics of this product are not intended to replace or substitute the need for necessary supervision of those who may be at risk, or for other necessary protective measures to be taken in the specific circumstances of usage. Kingsway Group, Inc. does not offer any products for sale as being 'ligature-free' and will not be liable for any claims arising from ligature attachment on its products. It is the customer's responsibility to ensure that products purchased and installed are suitable for the environments they are installed in.

The Kingsway recessed side closer is a fully concealed unit when closed and has adjustable closing speed and latching action.

Installation Description

- Recess the main body of the closer in to the side of the door.
- Cut-out for the mounting plate in the frame and fix in place.
- Open the closer and place the main body in to the recess that has been cut in door
- Fix securely in place and check for correct latching and closing speeds

Operation and Maintenance

Operation

The recessed side closer has been designed for doors up to 940mm wide and up to 80kg in weight with a maximum opening of 105 degrees.

Maintenance

It is largely a maintenance free product but frequent checks should be made to ensure that the chains are well greased and that the latching and closing speeds are suitable.

Guarantee

5 Year Guarantee*

*For faulty manufacture and not for damage

Specification

KG21 – Recessed Door Closer