

Product datasheet

Kingsway
Group

KG202 SwingHinge



Anti-ligature Disclaimer

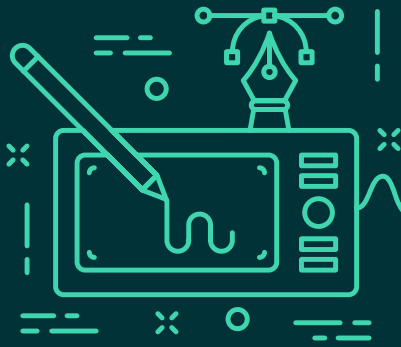
Anti-ligature Disclaimer The anti-ligature design characteristics of this product are not intended to replace or substitute the need for necessary supervision of those who may be at risk, or for other necessary protective measures to be taken in the specific circumstances of usage. Kingsway Group, Inc. does not offer any products for sale as being 'ligature-free' and will not be liable for any claims arising from ligature attachment on its products. It is the customer's responsibility to ensure that products purchased and installed are suitable for the environments they are installed in.

Page 1 of 2

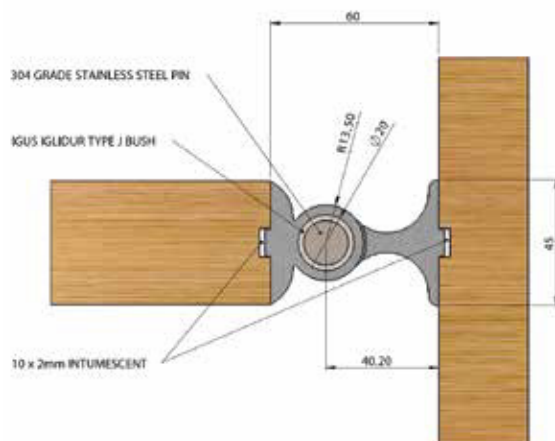
The SwingHinge is a unique double action hinge that allows doors to swing 105° in both directions. This can be used either for double action doors such as corridor doors or can be used with a Swing Stop anti-barricade device for doors in high risk areas.

Installation description

- Ensure that both the frame and the door edge have a machined groove 10 x 4mm.
- Line the bottom of each of the grooves with intumescent graphite (10 x 2mm).
- Turn the door on its side and screw the hinge to the door making sure the hinge is fitting tightly to the door edge and that it is fitting in to the groove. Fit the hinge so that it is flush with the top of the door (the cap will protrude beyond this and give you the necessary gap at the head of the door in the frame).
- Move the door towards the frame and locate the hinge in the groove of the frame. To do this the door will have to be at 90° to the frame.
- Once the hinge is located move the door up in the frame so that the hinge cap is touching the frame head and fix the hinge in to the frame. This should be done by putting in fixings on alternate sides of the door, so that the hinge does not become dislodged from the location groove.



KG202 SwingHinge



Anti-ligature Disclaimer

Anti-ligature Disclaimer The anti-ligature design characteristics of this product are not intended to replace or substitute the need for necessary supervision of those who may be at risk, or for other necessary protective measures to be taken in the specific circumstances of usage. Kingsway Group, Inc. does not offer any products for sale as being 'ligature-free' and will not be liable for any claims arising from ligature attachment on its products. It is the customer's responsibility to ensure that products purchased and installed are suitable for the environments they are installed in.

Page 2 of 2

The SwingHinge is a unique double action hinge that allows doors to swing 105° in both directions. This can be used either for double action doors such as corridor doors or can be used with a SwingStop anti-barricade device for doors in high risk areas.

Operation and Maintenance

Operation

The SwingHinge allows doors to operate in both directions up to 105°. It is a continuous hinge that secures to the whole length of the door and provides additional finger-safe features.

Maintenance

The SwingHinge has been designed to be largely maintenance free by using self lubricating materials and materials that are resistant to corrosion and wear. Do not use lubricants on the hinge if the action has become stiff as this can affect the performance and usability of the product; contact Customer Services if in doubt. Periodic checks should be made to the fixings to ensure that these remain tight and that they have not been tampered with.

Cleaning

Cleaning of the SwingHinge should be made only with a damp cloth. All cleaning agents should be avoided.

Guarantee

5 Year Guarantee*

*For faulty manufacture and not for damage.

Specification

KG202 SwingHinge continuous hinge.