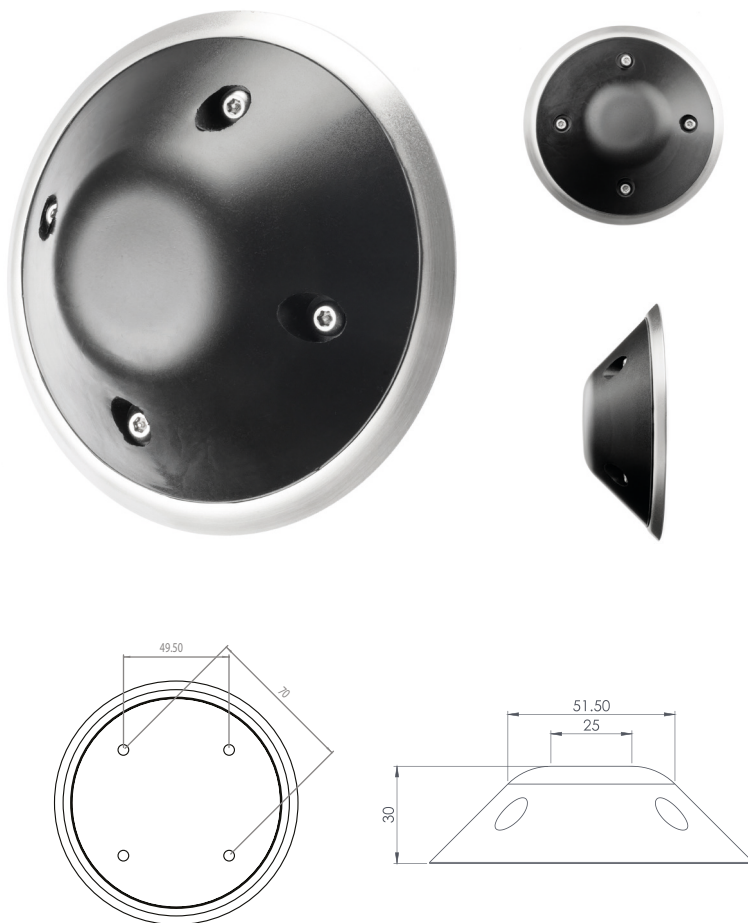


Product datasheet

Kingsway  
Group

## KG184 Large Rubber Wall Mounted Door Stop On Back Plate



### Anti-ligature Disclaimer

Anti-ligature Disclaimer The anti-ligature design characteristics of this product are not intended to replace or substitute the need for necessary supervision of those who may be at risk, or for other necessary protective measures to be taken in the specific circumstances of usage. Kingsway Group, Inc. does not offer any products for sale as being 'ligature-free' and will not be liable for any claims arising from ligature attachment on its products. It is the customer's responsibility to ensure that products purchased and installed are suitable for the environments they are installed in.

Solid high-pressure domed rubber door stop with metal back plate for ultimate durability, for use on walls and doors. Can be fitted to the skirting and door to allow for maximum clearance where large items of ironmongery are used.

### Installation description

- Mark out the area where the door stop is to be fitted.
- Drill two holes- one for the locating pin and one for the screw.
- Fix in to place using the security screw provided and a suitable plug if necessary.

### Operation and Maintenance

#### Operation

Designed to stop door handles and other door hardware from coming into contact with wall surfaces

#### Maintenance

Periodic checks should be made to ensure the fixing remains tight and that the rubber has not been damaged.

#### Cleaning

Cleaning of the door stop should be with a damp cloth. Cleaning agents should be avoided.

### Guarantee

#### 10 Year Guarantee\*

\*For faulty manufacture and not for damage

#### Specification

KG184 Large Rubber Wall Mounted Door Stop On Back Plate