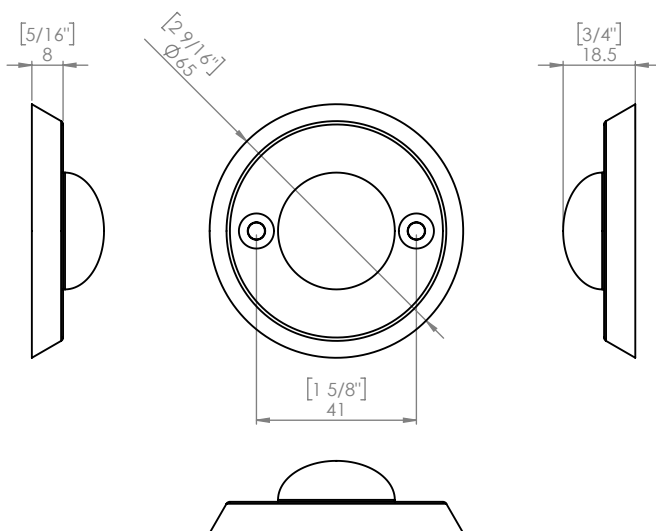


Product datasheet

Kingsway
Group

KG182 Wall Mounted Door Stop



Anti-ligature Disclaimer

Anti-ligature Disclaimer The anti-ligature design characteristics of this product are not intended to replace or substitute the need for necessary supervision of those who may be at risk, or for other necessary protective measures to be taken in the specific circumstances of usage. Kingsway Group, Inc. does not offer any products for sale as being 'ligature-free' and will not be liable for any claims arising from ligature attachment on its products. It is the customer's responsibility to ensure that products purchased and installed are suitable for the environments they are installed in.

The Kingsway wall mounted door stop is a high impact moulded rubber dome set in a solid stainless steel surround. These are fixed to protect walls from damage by door handles.

Installation Description

- Mark out the two fixing holes using the template provided
- Drill both fixing holes and use suitable wall plugs where necessary
- Fix in place using the two security screws provided

Operation and Maintenance

Operation

Designed to stop door handles and other door hardware from coming into contact with wall surfaces

Maintenance

Periodic checks should be made to ensure the fixings remain tight and that the rubber has not been damaged.

Cleaning

Cleaning of the door stop should be with a damp cloth. Cleaning agents should be avoided.

Guarantee

5 Year Guarantee*

*For Faulty Manufacture And Not For Damage

Specification

KG182 Wall Mounted Door Stop