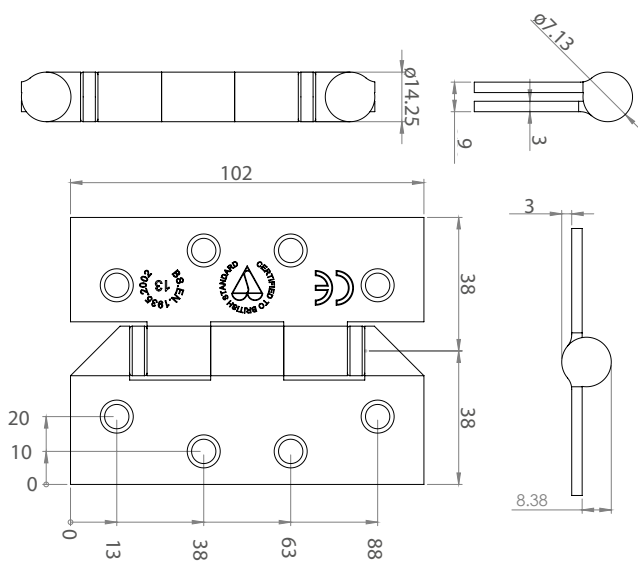


Product datasheet

Kingsway Group

## KG104 Butt hinges



### Anti-ligature Disclaimer

Anti-ligature Disclaimer The anti-ligature design characteristics of this product are not intended to replace or substitute the need for necessary supervision of those who may be at risk, or for other necessary protective measures to be taken in the specific circumstances of usage. Kingsway Group, Inc. does not offer any products for sale as being 'ligature-free' and will not be liable for any claims arising from ligature attachment on its products. It is the customer's responsibility to ensure that products purchased and installed are suitable for the environments they are installed in.

The anti-ligature stainless steel butt hinges have a specially machined knuckle end that is chamfered to 45° to resist ligature attachment. Available in square edge and radius edge to suit varying installation preferences and supplied with security pin torx fixings for maximum security.

### Installation Description

- Mark out area on the door and install the hinges taking care to set the hinge in by the correct amount
- Offer up to the frame and mark the hinge positions
- Cut-out for the hinges and fix in place using the security fixings provided

### Operation and Maintenance

#### Operation

Hinges have heavy duty ball bearings that allow doors to swing freely and easily and have specially shaped knuckle ends to resist ligature attachments.

#### Maintenance

The hinge is largely maintenance free but where necessary light oil should be used to assist the action. Care should be taken that the fixings remain tight and that they have not been tampered with.

#### Cleaning

Cleaning of the hinges should be with a damp cloth. Cleaning agents should be avoided.

### Guarantee

#### 5 Year Guarantee\*

\*For faulty manufacture and not for damage

#### Specification

KG104 Square Edge Butt Hinges