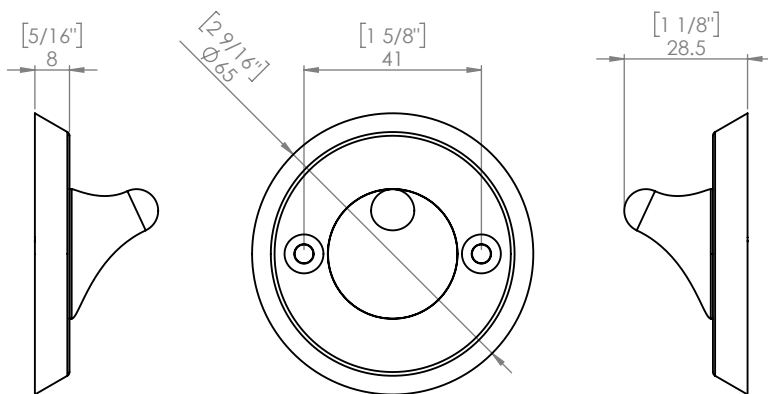


Product datasheet

Kingsway  
Group

## KG180 Coat Hook



### Anti-ligature Disclaimer

Anti-ligature Disclaimer The anti-ligature design characteristics of this product are not intended to replace or substitute the need for necessary supervision of those who may be at risk, or for other necessary protective measures to be taken in the specific circumstances of usage. Kingsway Group, Inc. does not offer any products for sale as being 'ligature-free' and will not be liable for any claims arising from ligature attachment on its products. It is the customer's responsibility to ensure that products purchased and installed are suitable for the environments they are installed in.

The coat and towel holder has a flexible rubber hook which is fixed within a stainless steel surround and has a low load release threshold. Made from a low shore rating rubber with a high silicone content and fixed by two security screws that pass through both the stainless steel surround and the rubber.

### Installation Description

- Mark out the two fixing holes using the template provided
- Drill both fixing holes and use suitable wall plugs where necessary
- Fix in place using the two security screws provided

### Operation and Maintenance

#### Operation

Designed for garment and towels up to 6kg in weight secured using two No.8 security screws.

#### Maintenance

Periodic checks should be made to ensure the fixings remain tight and that the rubber has not been damaged.

#### Cleaning

Cleaning of the coat and towel holder should be with a damp cloth. Cleaning agents should be avoided.

### Guarantee

#### 5 Year Guarantee\*

\*For Faulty Manufacture And Not For Damage

#### Specification

KG180 BK (Black) Anti-Ligature Coat Hook  
 KG180 BL (Blue) Anti-Ligature Coat Hook  
 KG180 CR (Cream) Anti-Ligature Coat Hook  
 KG180 GR (Grey) Anti-Ligature Coat Hook  
 KG180 BE (Beige) Anti-Ligature Coat Hook