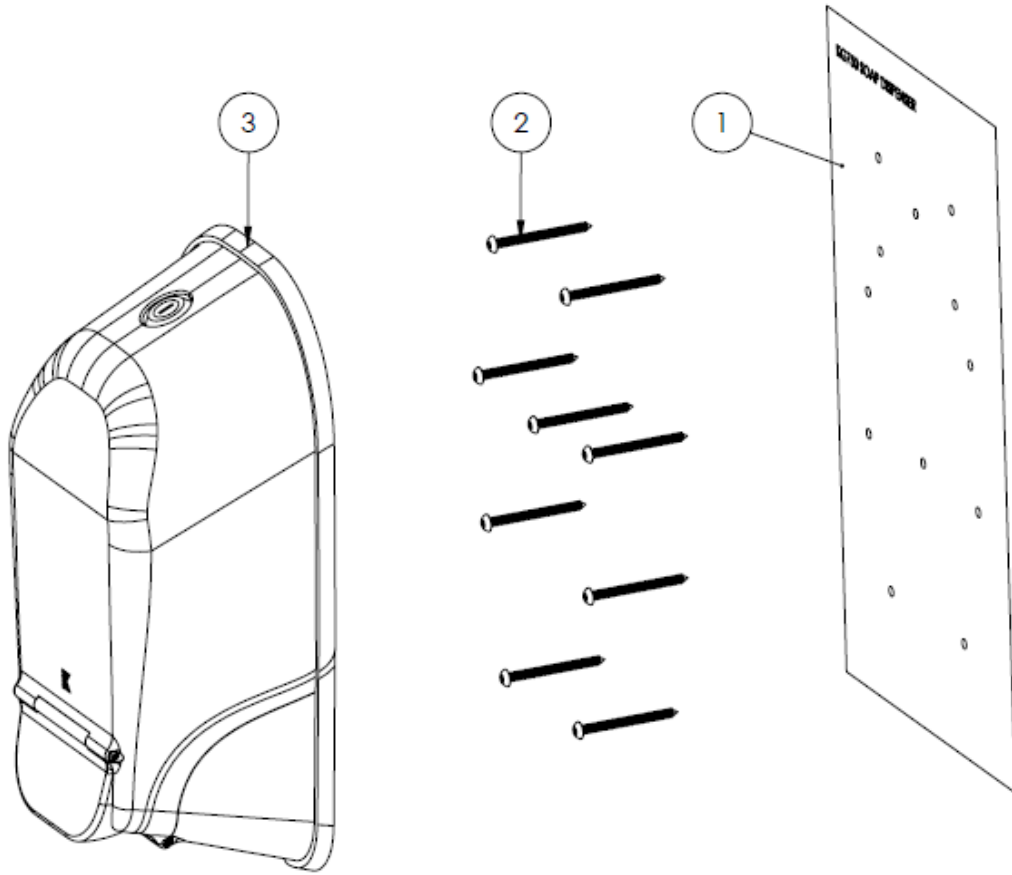


INSTALLATION INSTRUCTIONS

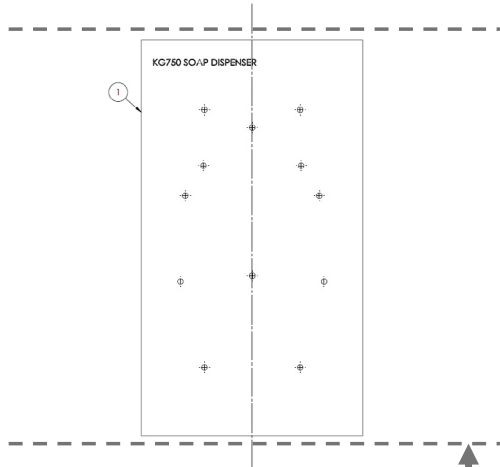
KG750 KALM
Soap Dispenser



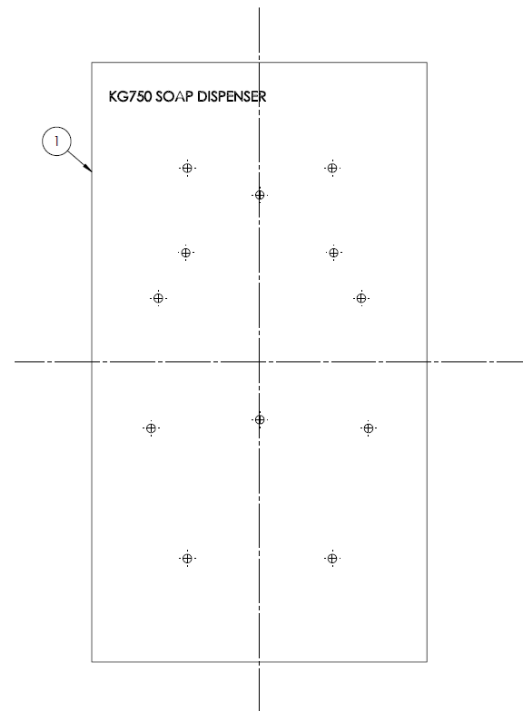


Number	Component	Qty.
1.	KG750 Fixing Template	1
2.	Screws	9
3.	Soap Dispenser Assembly	1

1.

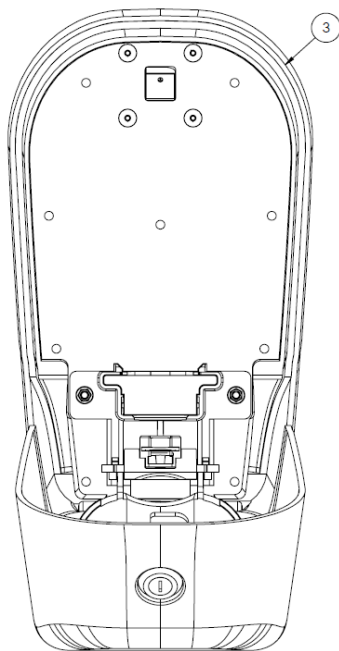


Align KG750 fixing template, to requested height, making sure the template sits level.

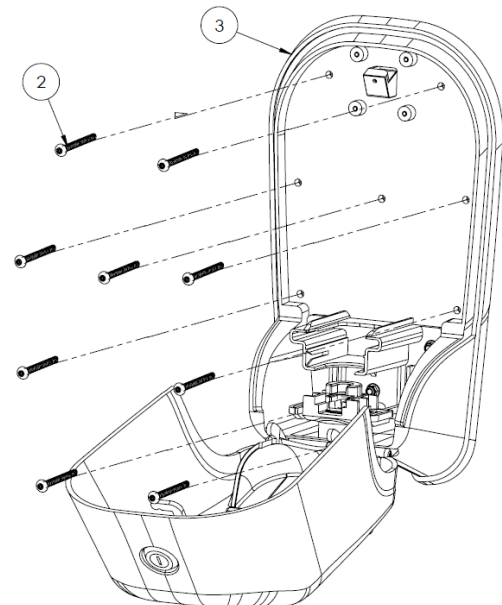


Drill pilot holes, using markings on fixing template as a guide.

2.

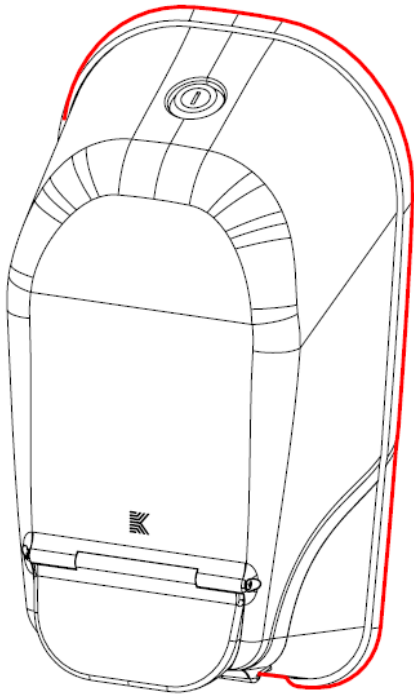


Align Soap Dispenser assembly with pilot holes.

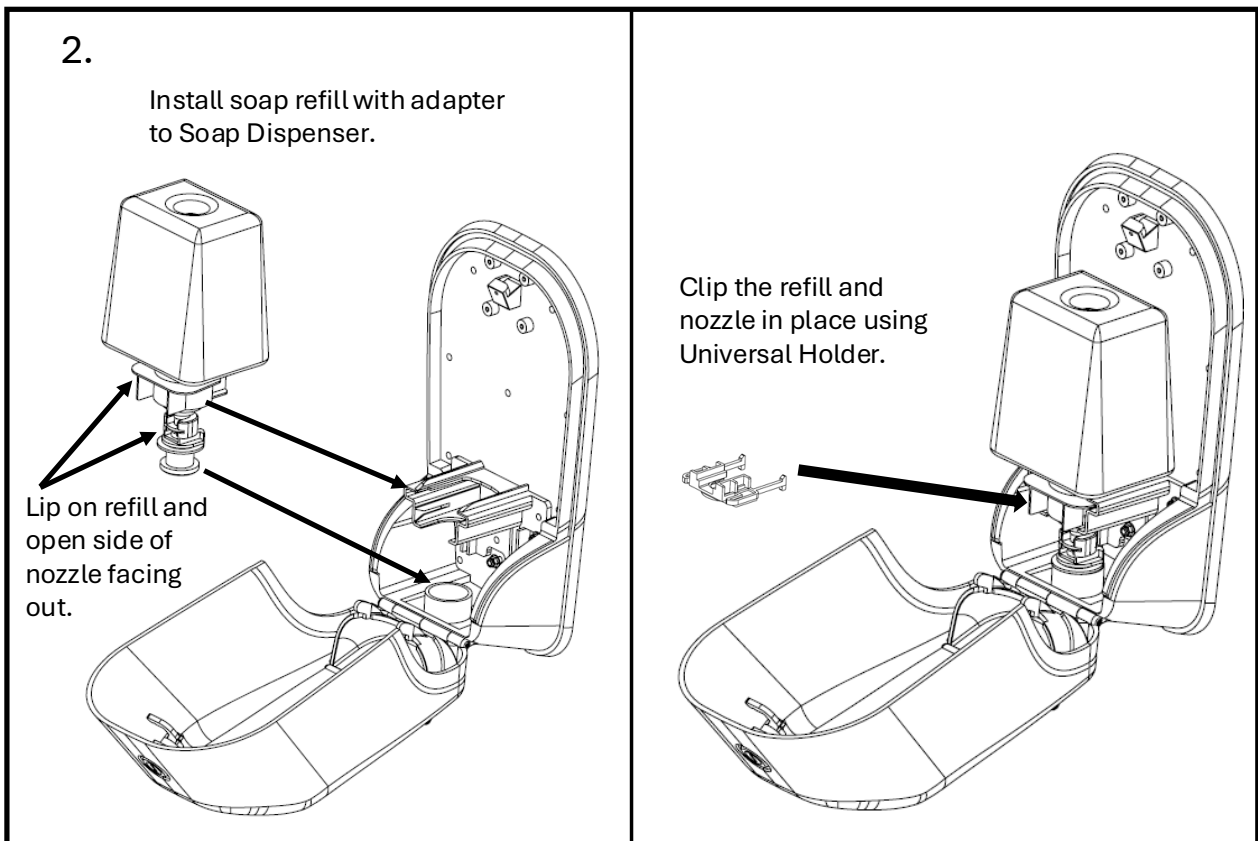
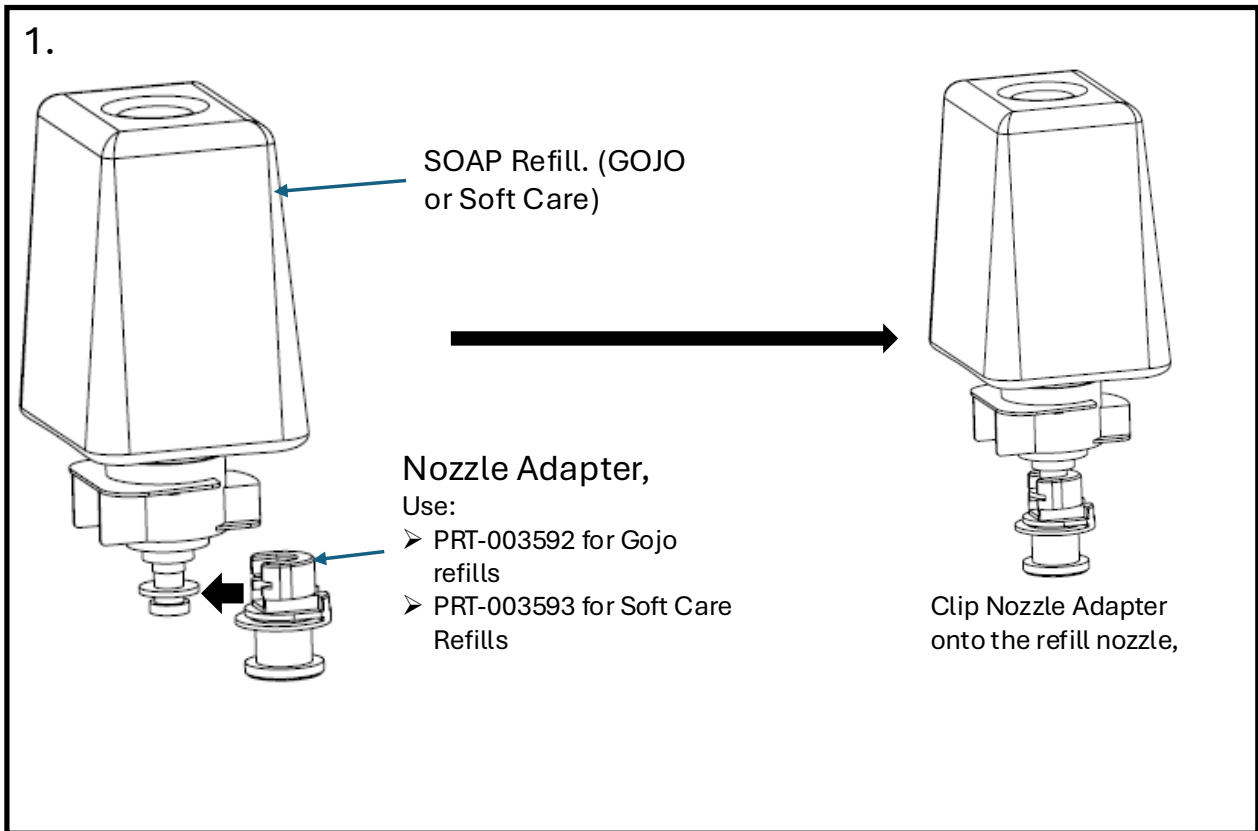


Screw Dispenser to the wall, use expansion plugs if needed.

3.



Use anti-pick mastic around the edges between the Dispenser and the wall, (as highlighted in red.)





The best ideas start
with a conversation

144/146 Russell St
Emu Plains
NSW 2750

1800 325 175
sales@kingswaygroupau.com

kingswaygroupglobal.com

Visit our website
to learn more

