

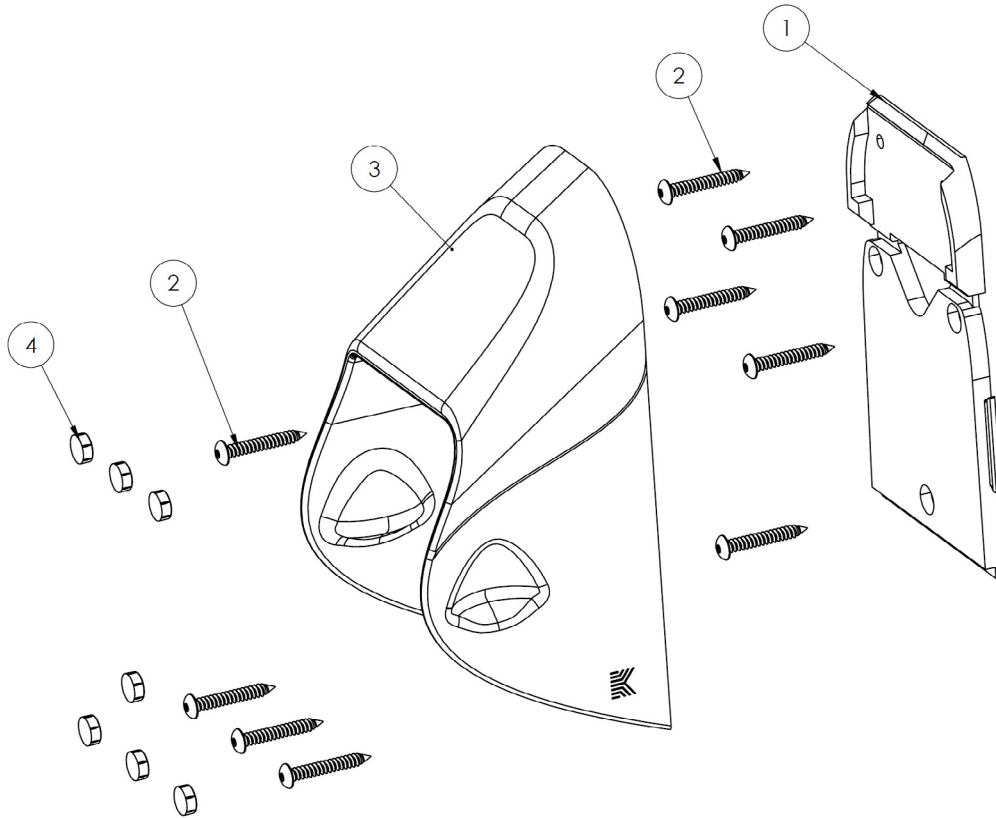
INSTALLATION INSTRUCTIONS

KG740 KALM

Toilet Roll Holder

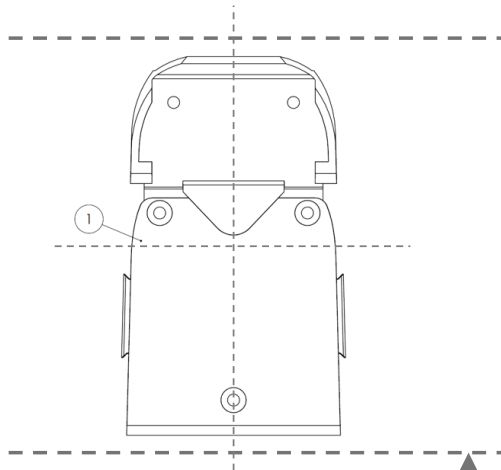


INSTALLATION INSTRUCTIONS
KG740 KALM Toilet Roll Holder

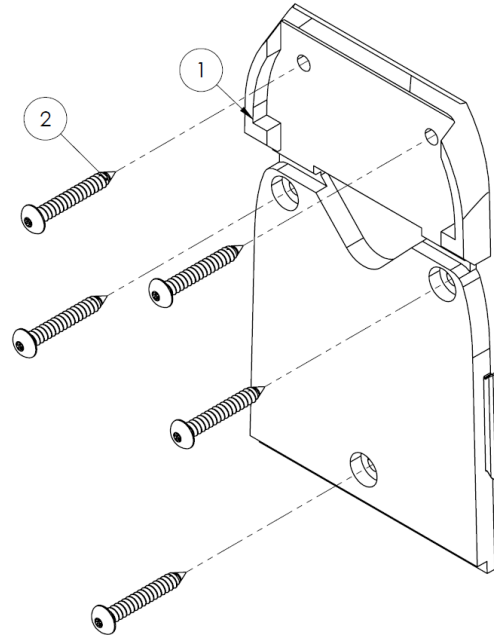


Number	Component	Qty.
1.	Backplate	1
2.	screws	9
3.	Front Cover	1
4.	Plugs	7

1.

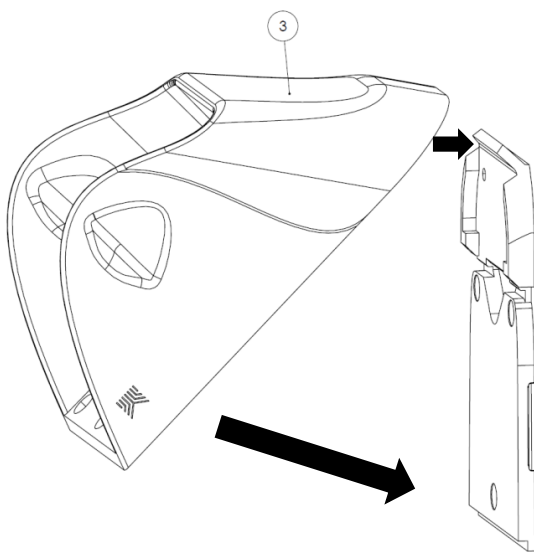


Align Backplate, to requested height, making sure it sits level. Drill Pilot holes on the fixing holes.

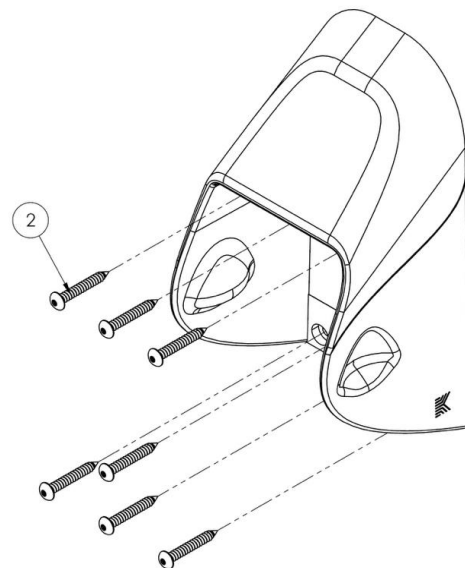


Screw backplate to the wall, use expansion plugs if needed.

2.

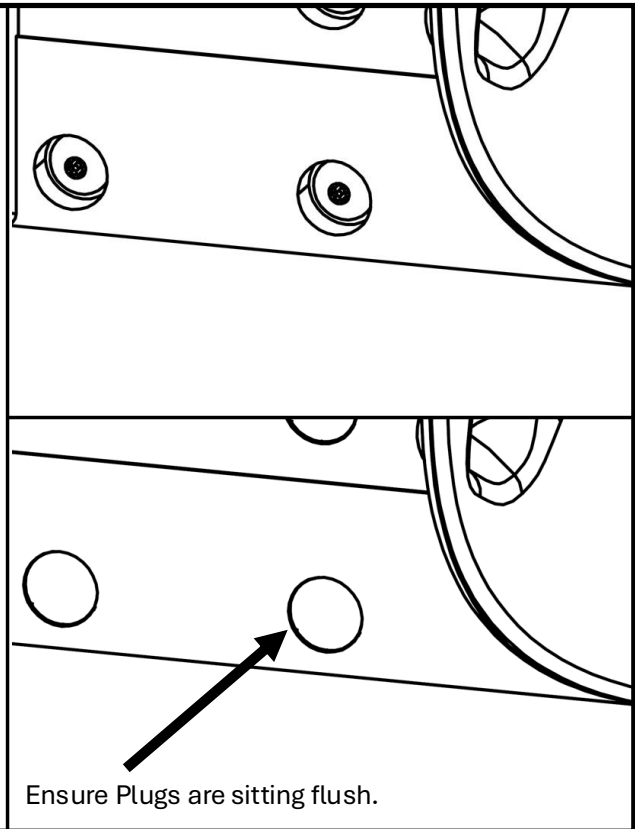
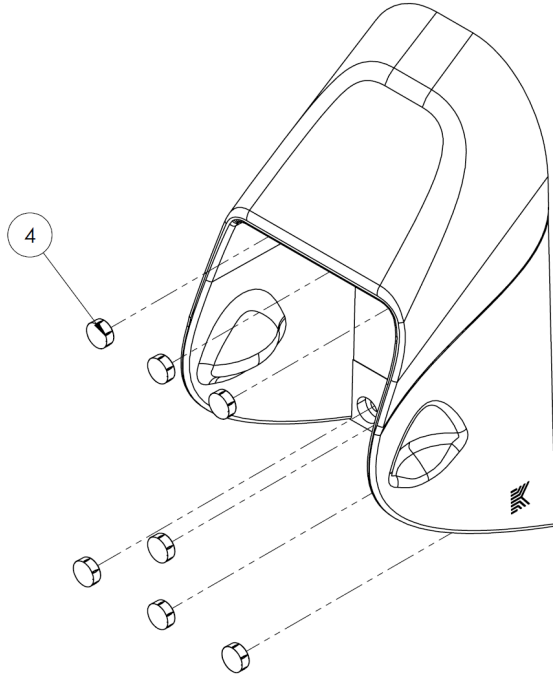


Insert Front Cover. Hook the top of the front cover onto the lip on the back plate first, then slot the rest of the cover in place.

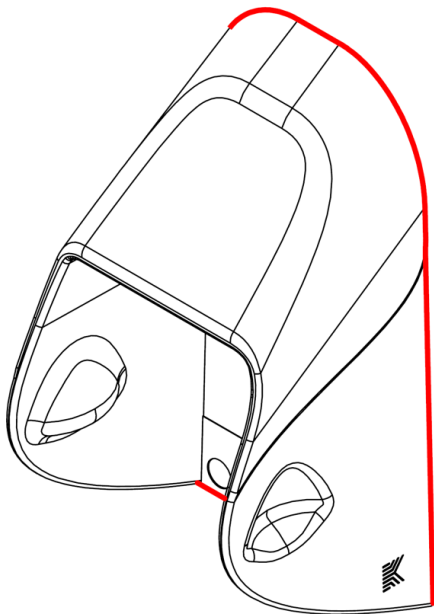


Secure the front plate by screwing it in place, with the remaining screws.

3. Press fit plugs provided to cover all visible screw heads.



- 4.



Use anti-pick mastic around the edges between Toilet Roll Holder and the wall, (as highlighted in red.)



The best ideas start
with a conversation

144/146 Russell St
Emu Plains
NSW 2750

1800 325 175
sales@kingswaygroupau.com

kingswaygroupglobal.com

Visit our website
to learn more

