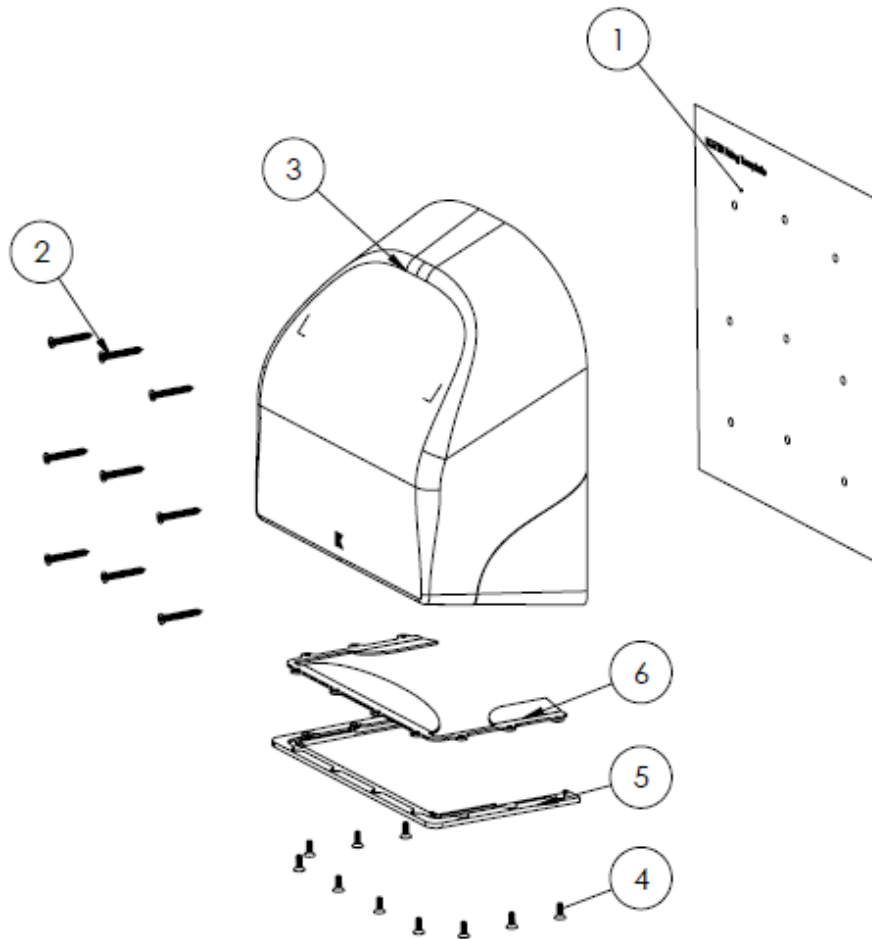


INSTALLATION INSTRUCTIONS

KG730 KALM

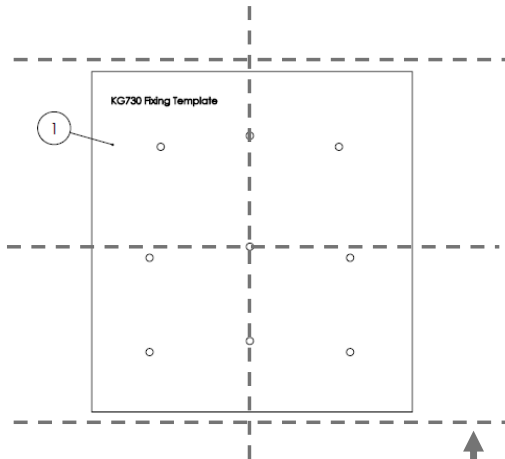
Hand Towel Dispenser



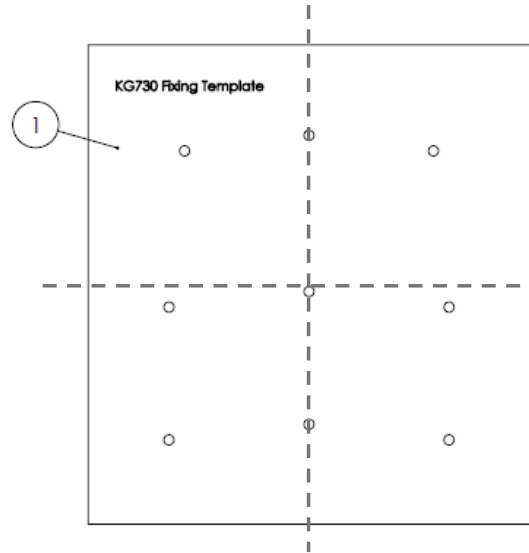


Number	Component	Qty.
1.	KG730 Fixing Template	1
2.	Self Tapping Screws	9
3.	Towel Dispenser Assembly	1
4.	Machine Screws	10
5.	Cover Plate	1
6.	Towel Flaps	1

1.

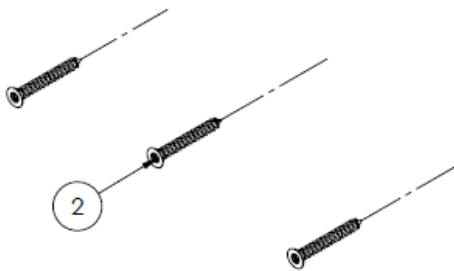


Align KG730 fixing template, to requested height, making sure the template sits level.

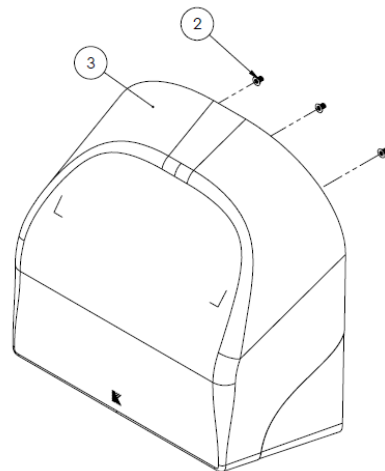


Drill pilot holes, using markings on fixing template as a guide.

2.



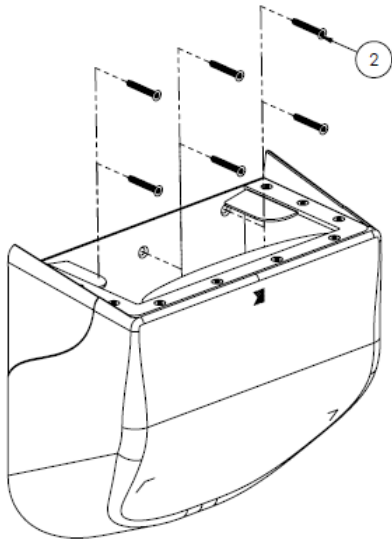
Drill top 3 screws into the wall, leaving the heads slightly proud .



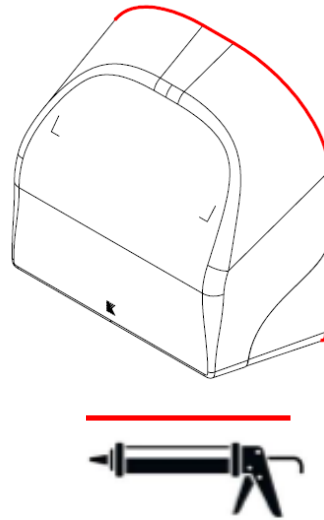
Use the keyhole slots on the top of the dispenser to slot the dispenser in place.



3.



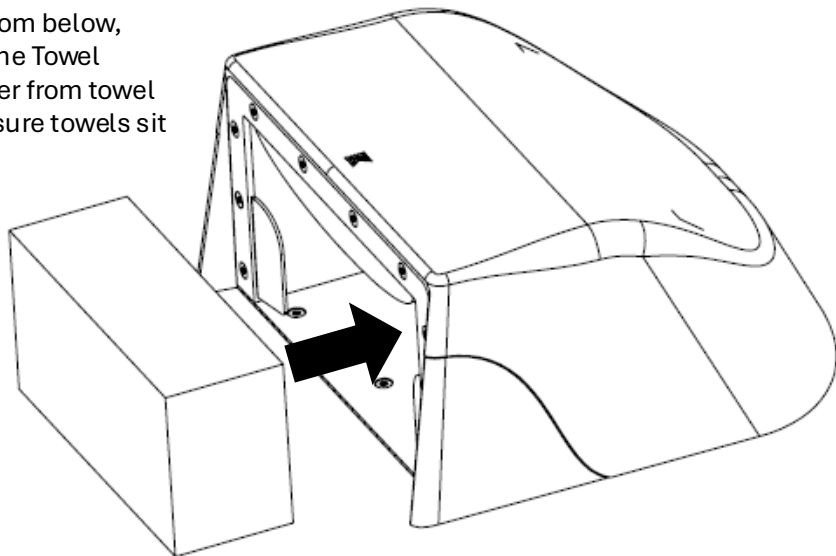
Add the rest of the screws to the holes on the back plate, use a right-angled drill bit.



Use anti-pick mastic around the edges between the dispenser and the wall, (as highlighted in red.)

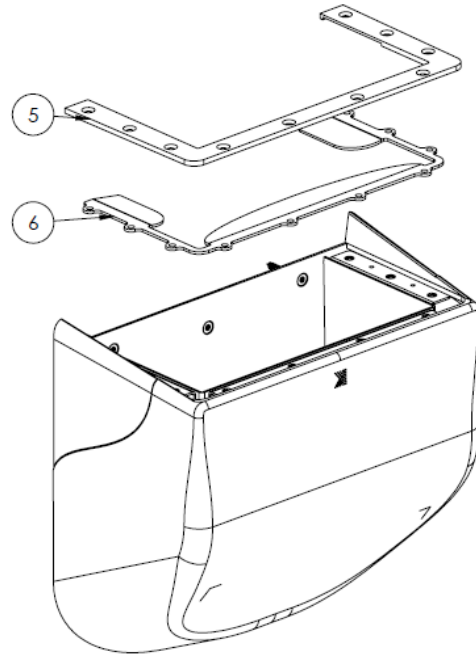
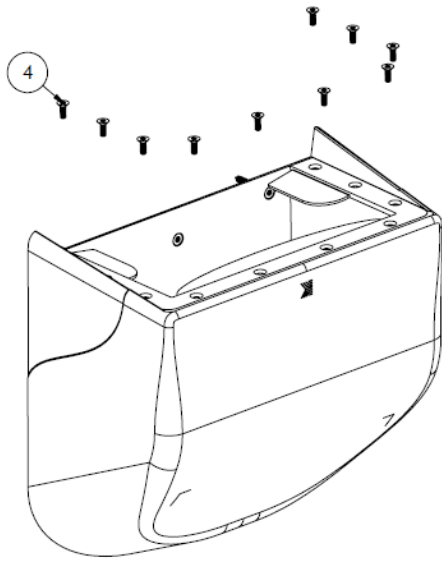
4.

Load Paper towel stack from below, pushing the towels past the Towel Flaps. (remove paper cover from towel stack before loading). Ensure towels sit on the flaps once loaded.



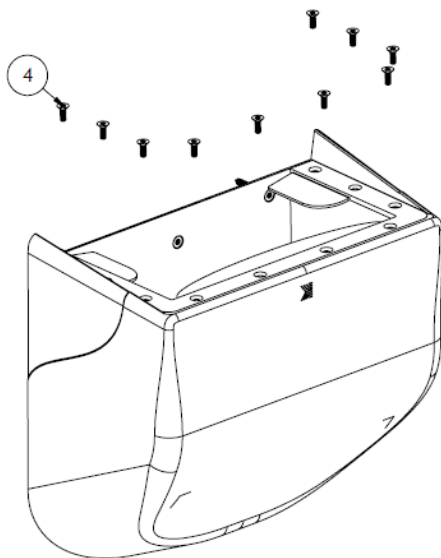
5. (ONLY IF FLAPS GET DAMAGED)

Remove the screws from the base, to release the Cover plate and flaps



Swap damaged Towel Flaps (6) with a new one.

Screw Cover Plate and Towel Flaps back in place.





The best ideas start
with a conversation

144/146 Russell St
Emu Plains
NSW 2750

1800 325 175
sales@kingswaygroupau.com

kingswaygroupglobal.com

Visit our website
to learn more

