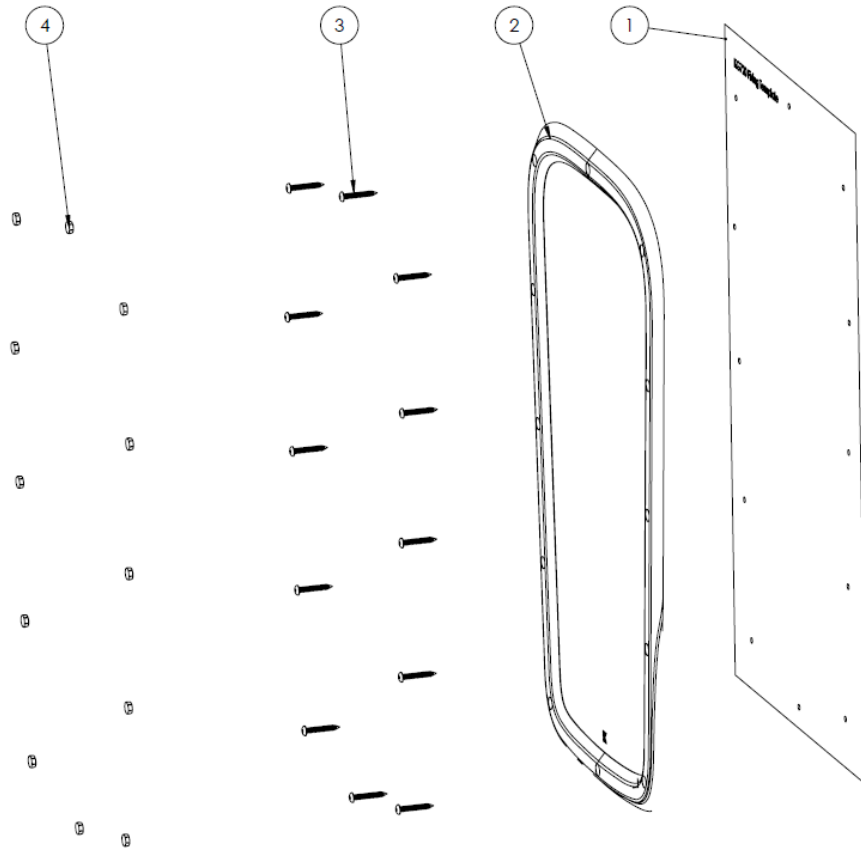


INSTALLATION INSTRUCTIONS

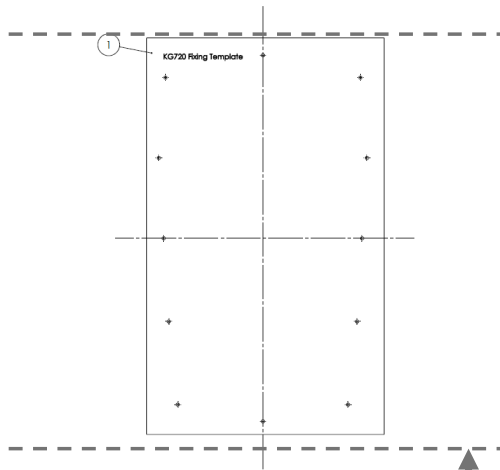
## KG720 KALM Mirror



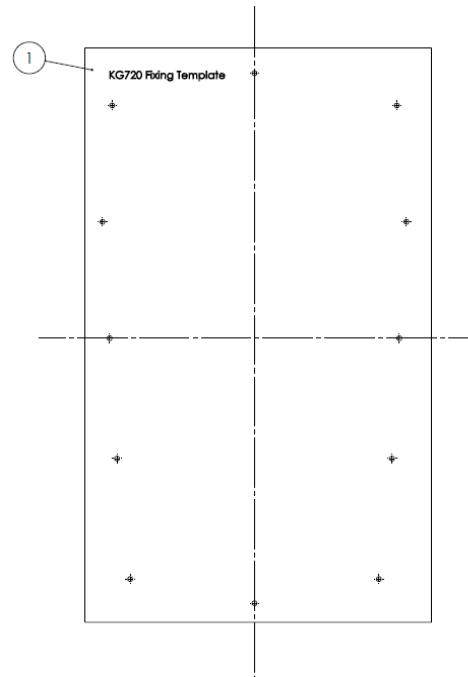


Number	Component	Qty.
1.	KG720 Fixing Template	1
2.	Mirror Assembly	1
3.	Screws	12
4.	Plugs	12

1.

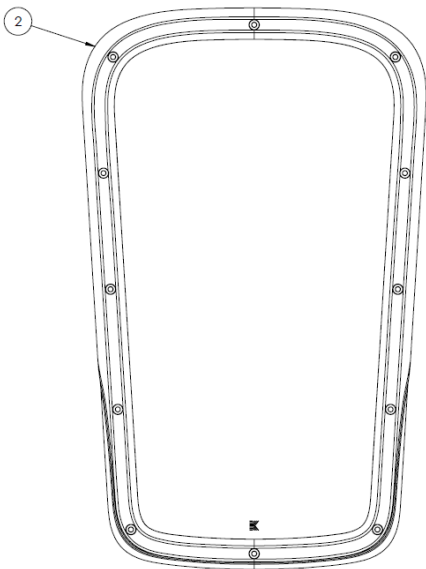


Align KG720 fixing template, to requested height, making sure the template sits level.

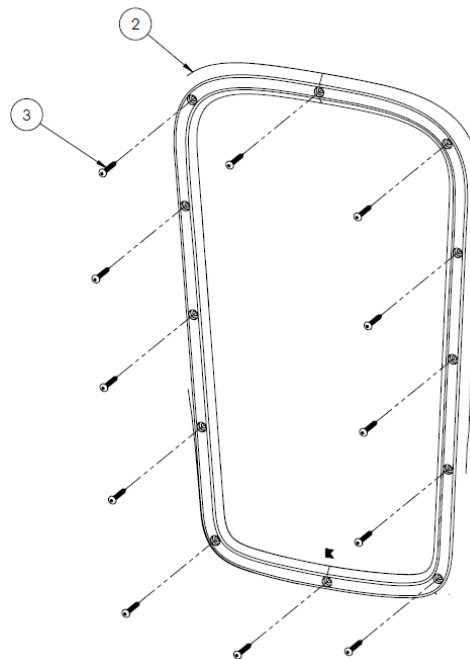


Drill pilot holes, using markings on fixing template as a guide.

2.

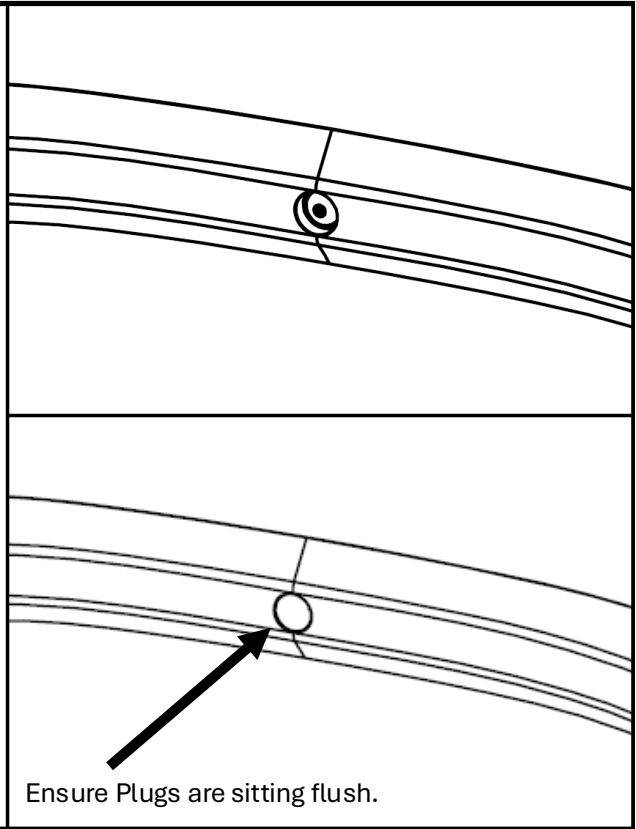
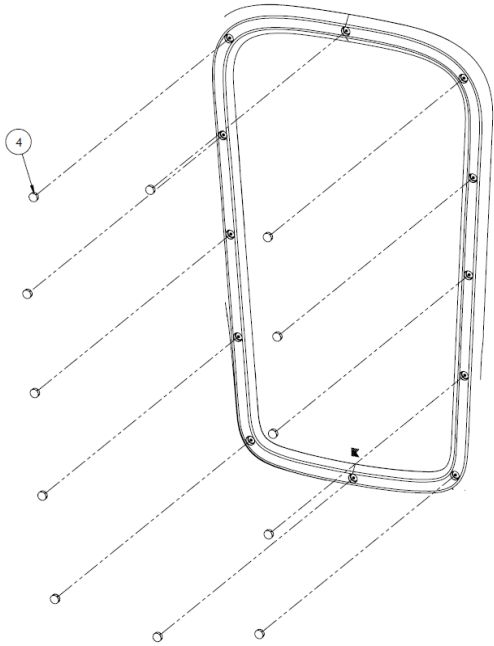


Align mirror assembly with pilot holes.

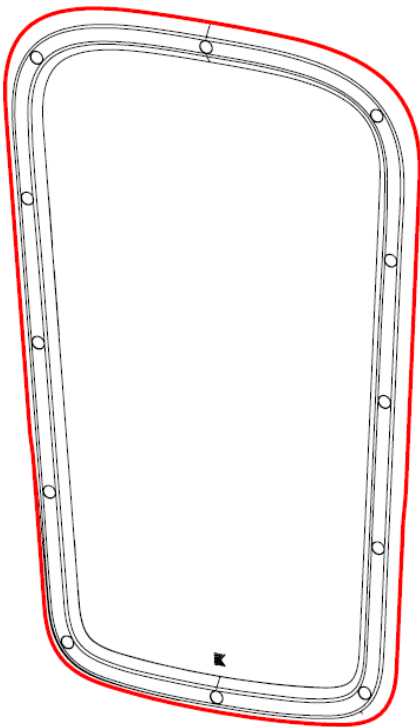


Screw Mirror to the wall, use expansion plugs if needed.

3. Press fit plugs provided to cover screw heads.



4.



Use anti-pick mastic around the edges between mirror and the wall, (as highlighted in red.)



The best ideas start  
with a conversation

144/146 Russell St  
Emu Plains  
NSW 2750

1800 325 175  
[sales@kingswaygroupau.com](mailto:sales@kingswaygroupau.com)

[kingswaygroupglobal.com](http://kingswaygroupglobal.com)

Visit our website  
to learn more

