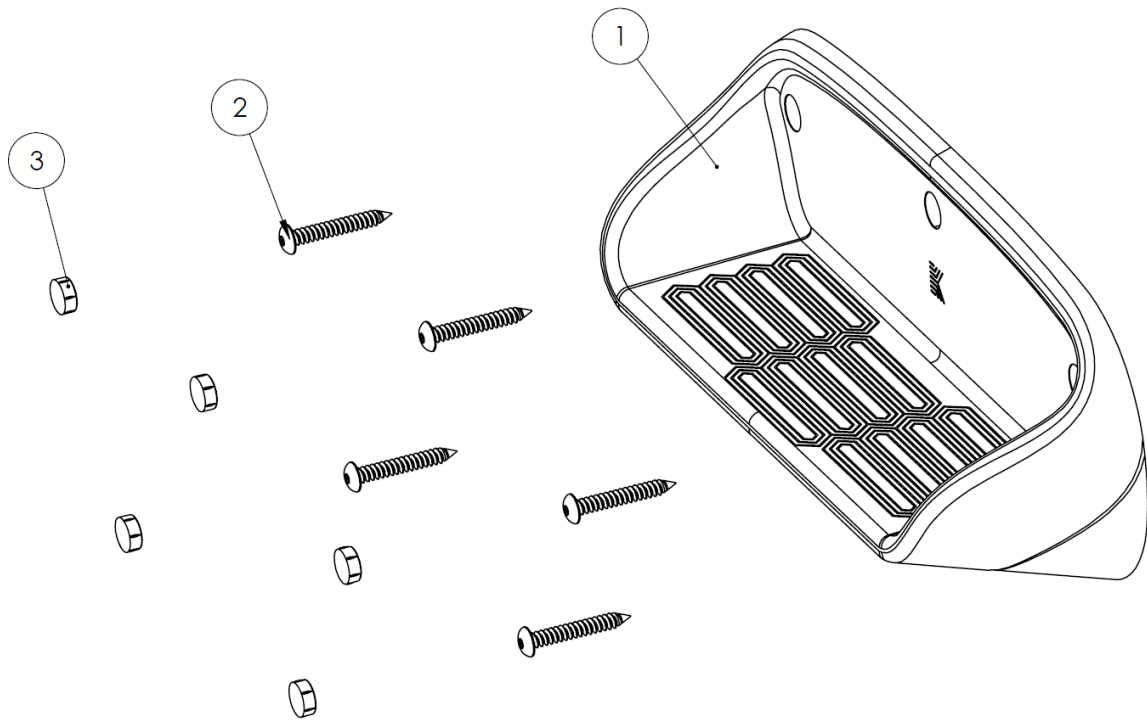


INSTALLATION INSTRUCTIONS

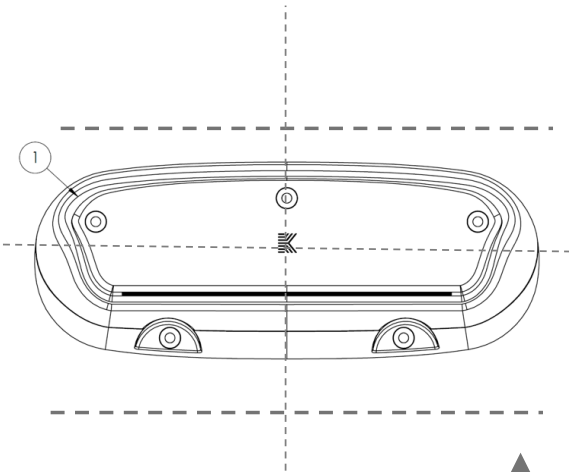
KG700 KALM Shelf



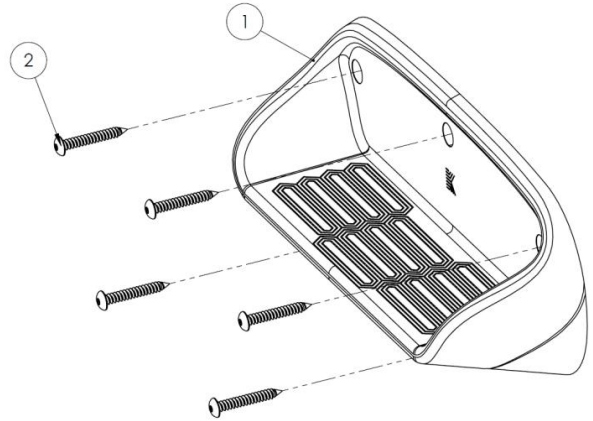


Number	Component	Qty.
1.	External Shelf	1
2.	Screws	5
3.	Plugs	5

1.

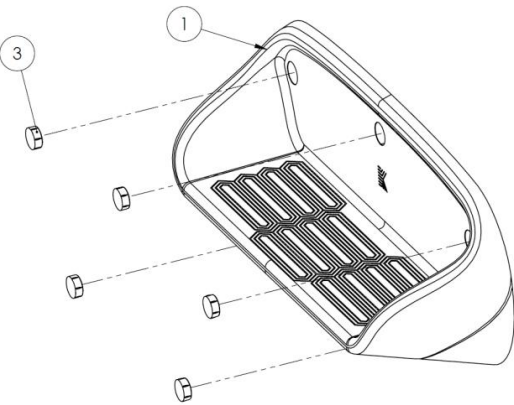


Align Shelf, to requested height,
making sure it sits level.
Drill Pilot holes on the fixing holes.

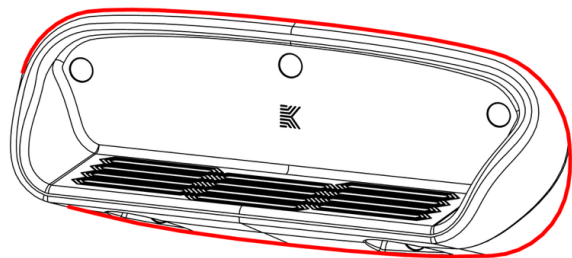


Screw Shelf to the wall, use expansion
plugs if needed.

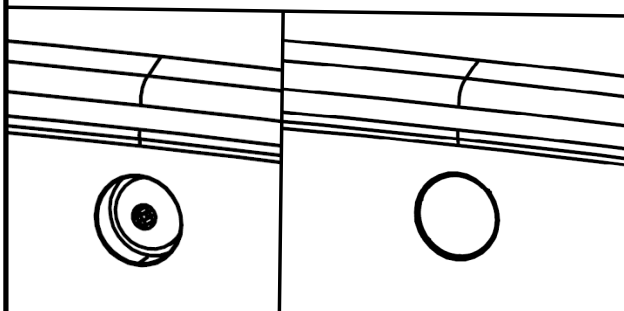
2.



Press fit plugs to cover all fixings.
Ensuring they are flush.



Use anti-pick mastic around the edges between
Shelf and the wall, (as highlighted in red.)





The best ideas start
with a conversation

144/146 Russell St
Emu Plains
NSW 2750

1800 325 175
sales@kingswaygroupau.com

kingswaygroupglobal.com

Visit our website
to learn more

