

PRODUCT DATASHEET

KG740 KALM Toilet Roll Holder

Part of the multi-award winning KALM Co-Produced Washroom Range, the KALM Toilet Roll Holder is an anti-ligature solution developed specifically for secure mental health washrooms. This solution delivers high strength performance and has been ligature and durability tested to ensure it meets safety standards.

The KALM Toilet Roll Holder has been designed to be less intrusive, with a smaller, sculpted shape and two texture finish to creating a healing, normalised environment. The thoughtful design continues into the functionality too;

- The shape and size ensures that toilet roll is easy to load and securely held in place without creating additional ligature points.
- There are no cavities, meaning it's easier to keep clean and follow infection control guidelines.
- The two part backplate makes installation simpler.

The sculpted, softer design coupled with the concealed fixings helps to create a calming, non-institutional environment to aid patient rehabilitation and recovery.



Installation Instructions

For installation guidance please visit: kingswaygroupglobal.com/en-au/kg740-install

Operation and Maintenance

Operation

Designed for use with standard toilet roll formats whilst maintaining smooth anti ligature geometry.

Maintenance

Regular inspection is recommended to ensure the product remains secure and fit for purpose. Check for signs of damage, defects, tampering or abuse. Any compromised components should be replaced immediately.

Cleaning

Our preferred cleaning product for maintaining the appearance and performance of the polycarbonate surface is VuPlex plastic cleaner.

Alternatively clean using non abrasive neutral pH detergents diluted in warm water and applied with a soft cloth.

Avoid abrasive pads solvent based cleaners highly alkaline products or aggressive chemical agents to maintain long term integrity.

Testing and Warranty

Specification

Product: KG740 KALM Toilet Roll Holder

Overall Dimensions: 121mm W x 235mm H x 108mm D

Material: antimicrobial impact-resistant polycarbonate

Designed to work with 100mm/4" toilet rolls.

Testing

DHF TS001:2013

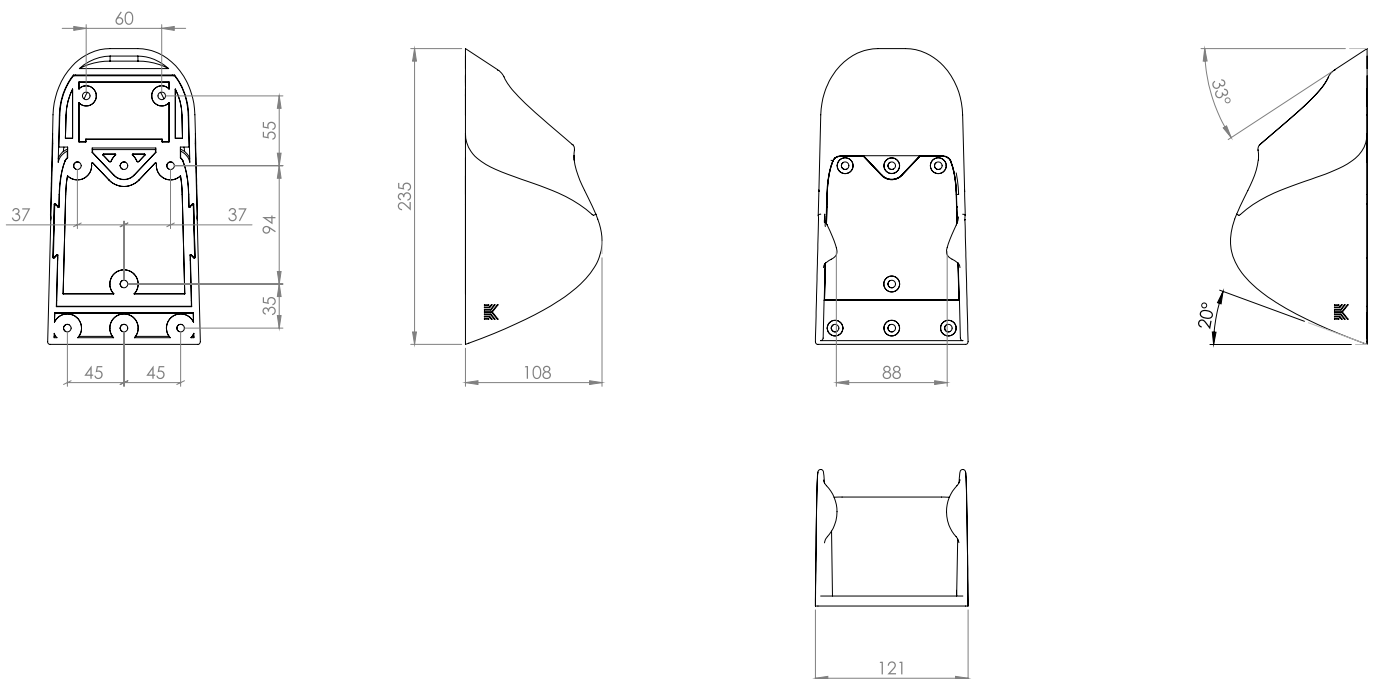
BS EN 356 Hard Body Impact

BS EN 596 Soft Body Impact

1 Year Manufacturer's Defect Warranty covering faulty manufacture, not for damage

PRODUCT DIAGRAM

KG740 KALM Toilet Roll Holder



Terms and conditions:

To see our full terms and conditions, please visit: kingswaygroupglobal.com/en-au/terms