

PRODUCT DATASHEET

KG720 KALM Mirror

Part of the multi-award winning KALM Co-Produced Washroom Range, the KALM Mirror is an anti-ligature solution developed specifically for secure mental health washrooms and bedrooms. This solution delivers a high strength performance and has been ligature and durability tested to ensure it meets safety standards.

Feedback from our co-production team was that often, the mirror is the first thing that reminds a service user that they're in a clinical setting. That's why we've designed the KALM Mirror to look like something you could have at home:

- The specialised stainless-steel finish ensures the user sees a clear, non-distorted image.
- Wall fixings and screws are carefully hidden by our innovatively designed plugs.
- The longer profile and size means it can be used by a wide range of users.

With the softened geometry and concealed fixings, the KALM Mirror helps to create a calming, non-institutional environment to aid patient rehabilitation and recovery.



Installation Instructions

For installation guidance please visit: kingswaygroupglobal.com/en-au/kg720-install

Operation and Maintenance

Operation

Provides a robust and secure alternative to traditional glass mirrors.

Maintenance

Regular inspection is recommended to ensure the product remains secure and fit for purpose. Check for signs of damage, defects, tampering or abuse. Any compromised components should be replaced immediately.

Cleaning

Our preferred cleaning product for maintaining the appearance and performance of the polycarbonate frame is VuPlex plastic cleaner.

The stainless steel mirror panel may be cleaned using a nonabrasive stainless steel cleaner or neutral pH detergent applied with a soft cloth.

Avoid abrasive pads solvent based cleaners highly alkaline products or aggressive chemical agents to maintain long term integrity.

Testing and Warranty

Specification

Product: KG720 KALM Mirror

Overall Dimensions: 427mm W x 697mm H x 11mm D

Frame material: antimicrobial impact-resistant polycarbonate

Mirror panel material: polished 304 stainless steel

Testing

DHF TS001:2013

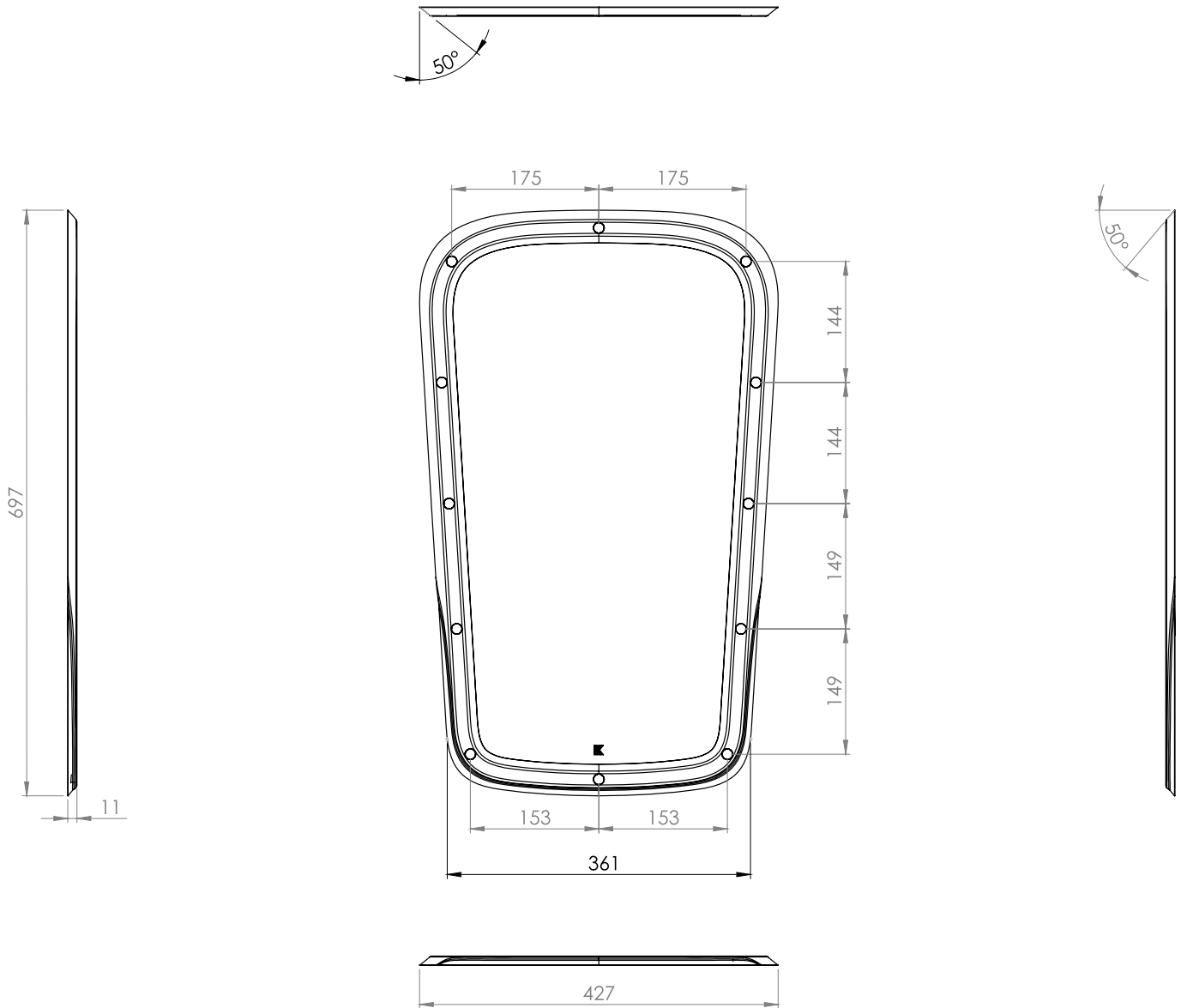
BS EN 356 Hard Body Impact

BS EN 596 Soft Body Impact

1 Year Manufacturer's Defect Warranty covering faulty manufacture, not for damage

PRODUCT DIAGRAM

KG720 KALM Mirror



Terms and conditions:

To see our full terms and conditions, please visit: kingswaygroupglobal.com/en-au/terms