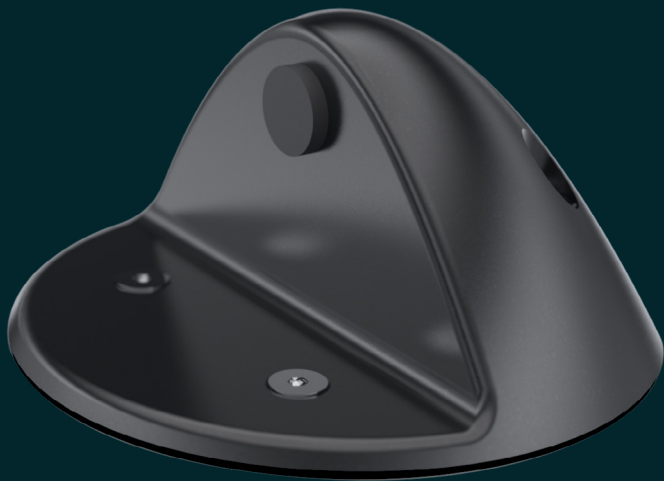


PRODUCT DATASHEET

## KG187 Floor Mounted Door Stop

Anti-ligature by design and manufactured from cast aluminium with a durable rubber stop, the KG187 provides full support to the door leaf, preventing over-extension and impacts with adjacent surfaces. It is compatible with our SENTRY Full Door Edge Ligature Alarm System, offering the perfect protective solution and safely reducing the risk of product damage.



### Terms and conditions:

To see our full terms and conditions, please visit:  
[kingswaygroupglobal.com/en-au/terms](https://kingswaygroupglobal.com/en-au/terms)

# Your Partner in Patient Safety

## Installation Description

- Mark out the area where the door stop is to be fitted
- Drill four holes
- Fix into place using the security screws provided and a suitable plug if necessary

## Operation and Maintenance

### Operation

Designed for use with the SENTRY Full Door Edge Ligature Alarm System, meeting the door leaf above where the sensor strip is located.

### Maintenance

Periodic checks should be made to ensure the screws remain tight and that the rubber has not been damaged.

### Cleaning

Clean using a non-abrasive sanitising agent. Abrasive cleaning cloth and agents should be avoided.

## Warranty

### 1 Year Manufacturer's Defect Warranty\*

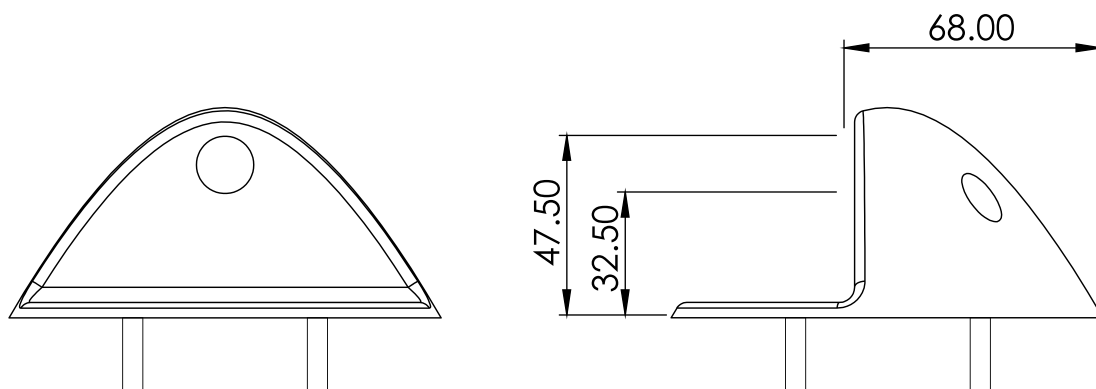
\*For faulty manufacture and not for damage

### Specification

KG187 SENTRY Floor Mounted Door Stop

PRODUCT DIAGRAM

# KG187 Floor Mounted Door Stop



**Terms and conditions:**

To see our full terms and conditions, please visit: [kingswaygroupglobal.com/en-au/terms](https://kingswaygroupglobal.com/en-au/terms)