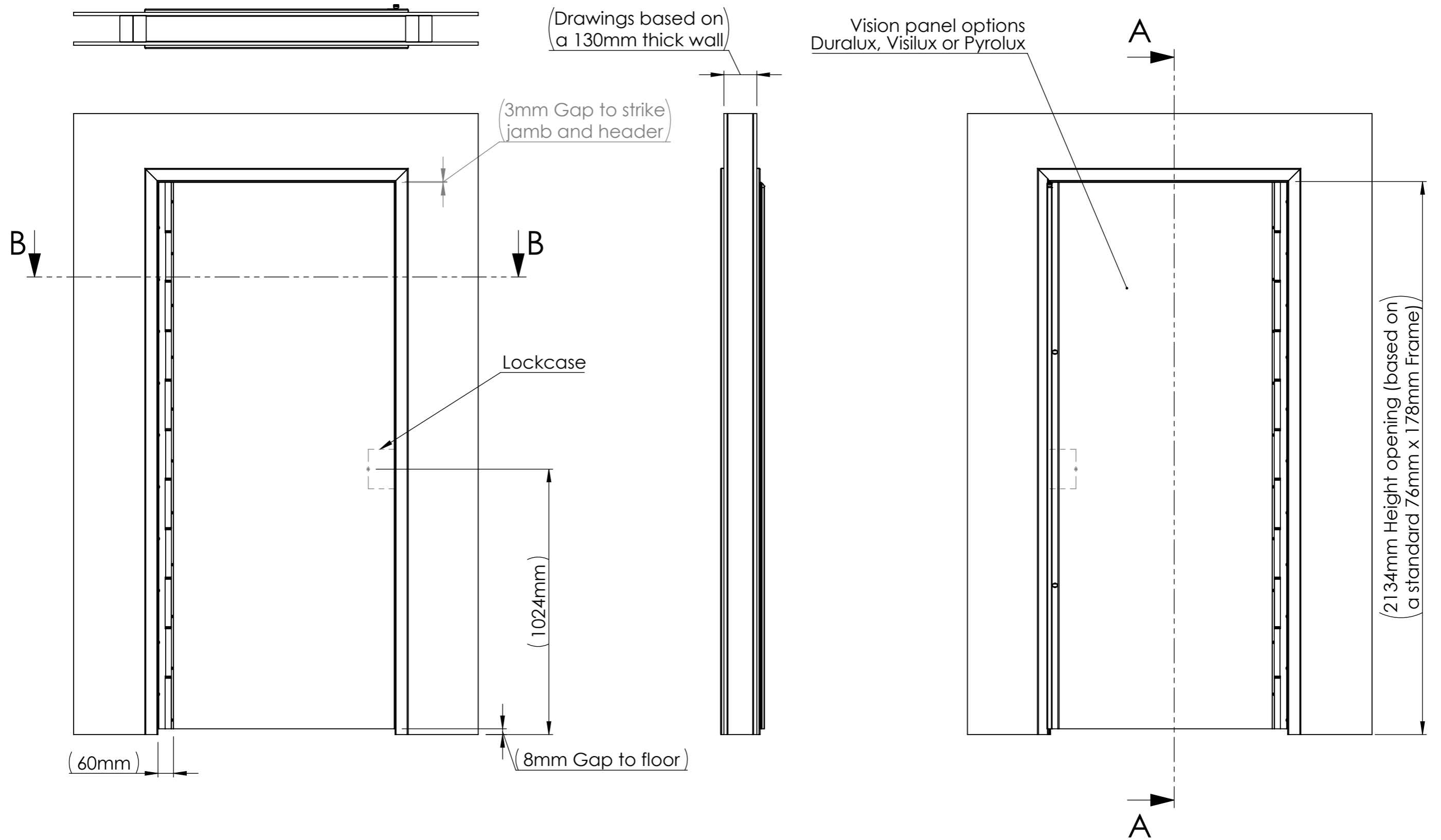


Elevations

All dimensions are for reference - please check with Kingsway for more details



SWING Anti-Barricade
Door System
Code: SWD01

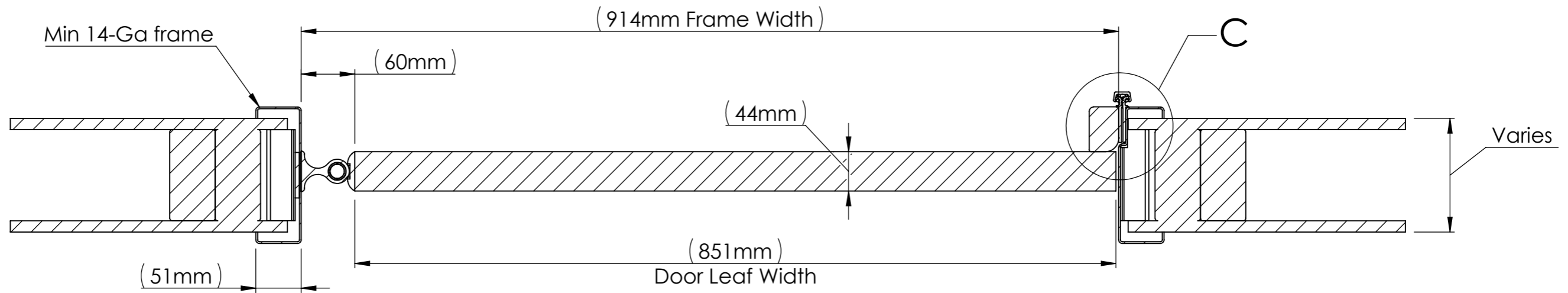


sales@kingswaygroupau.com
www.kingswaygroupau.com

Single Rabbet - SWD01

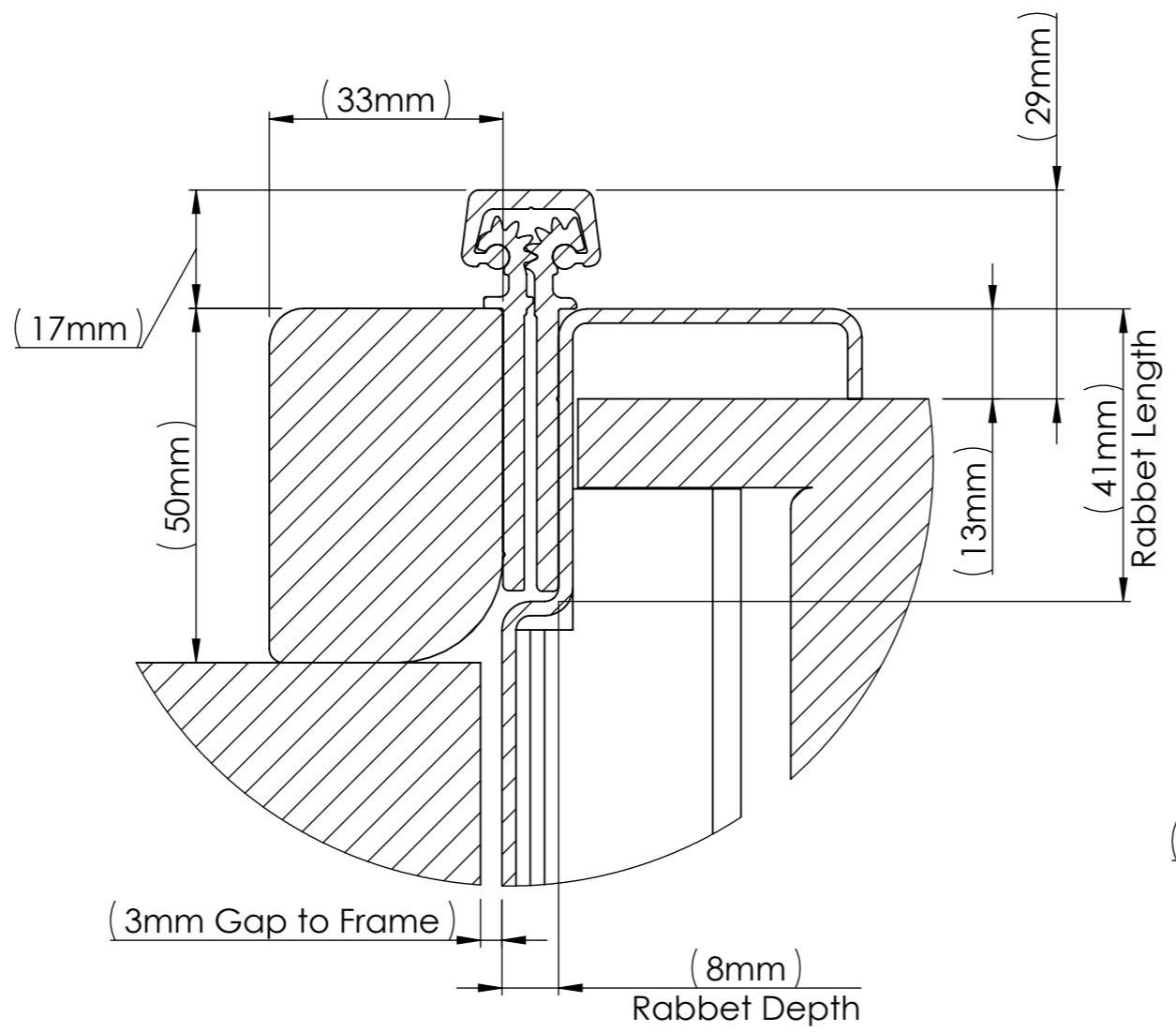
44mm Door Details

All dimensions are for reference - please check with Kingsway for more details

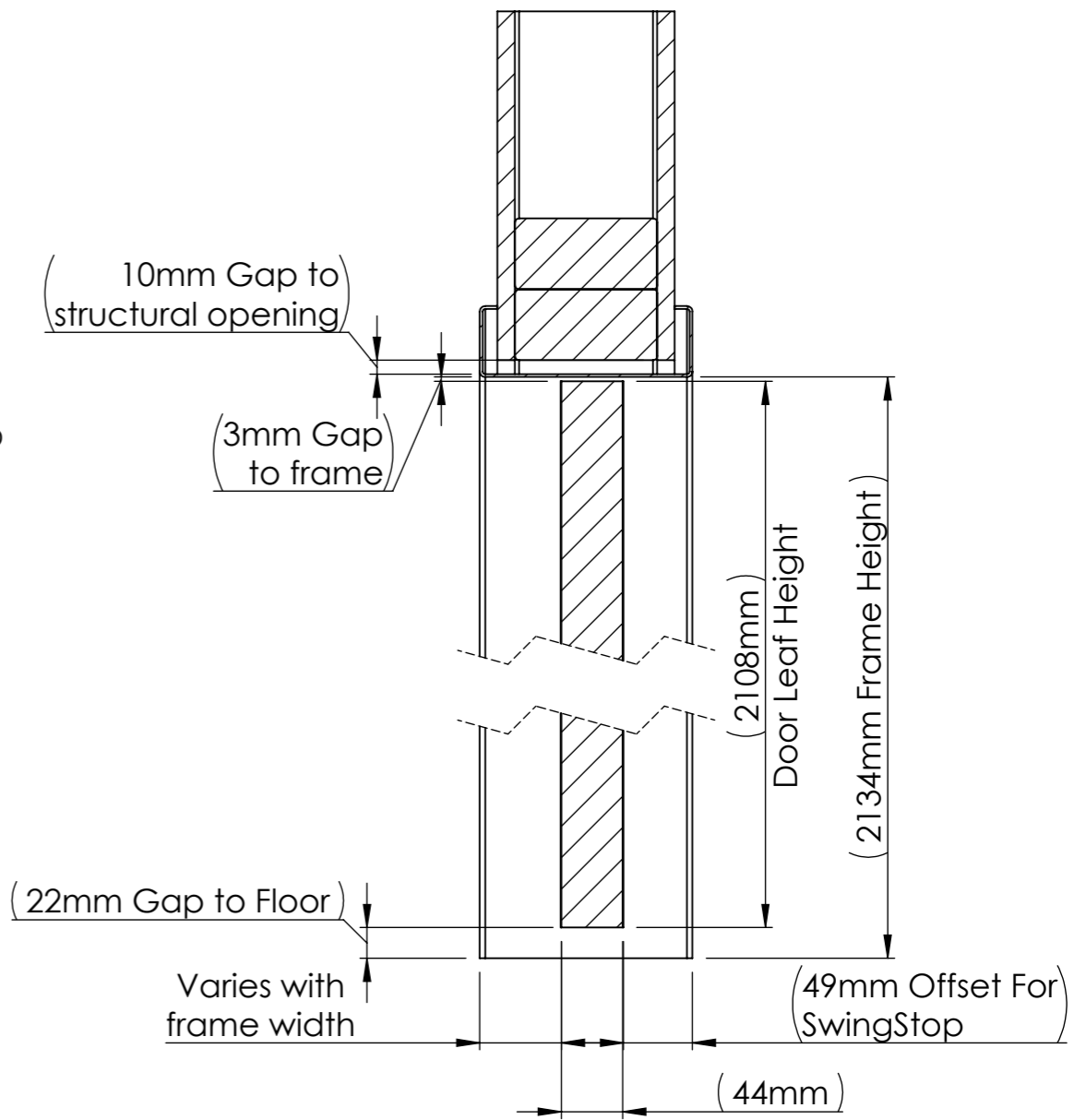


SECTION B-B

Door Leaf Width is Opening Width less	64
Door Leaf Height is Opening Height less	11

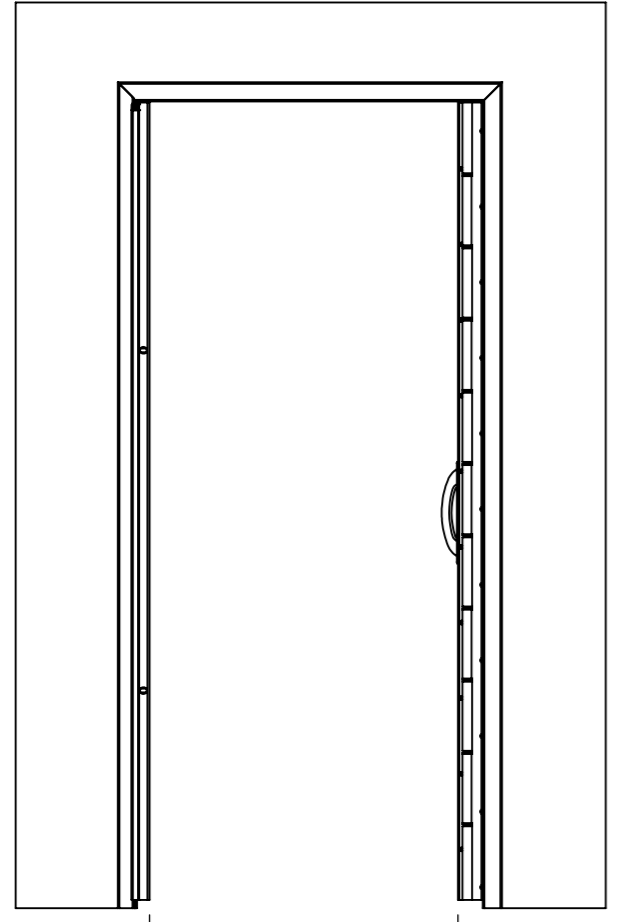
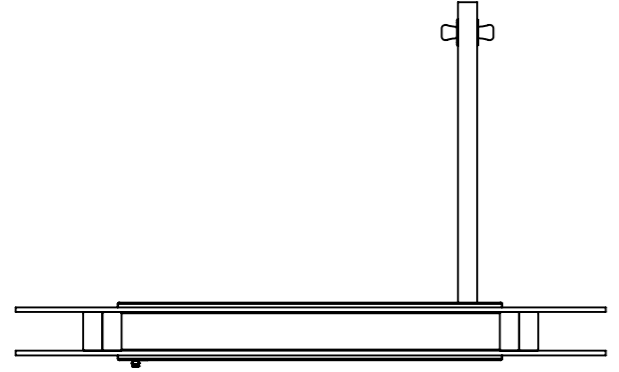


DETAIL C



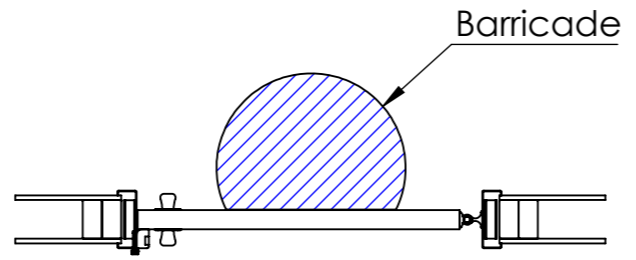
SECTION A-A

Inward Opening Function (Normal Operation)

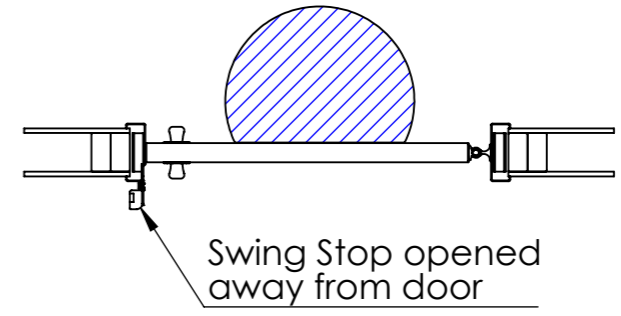


(816mm Clear Opening in normal operation based on a 914mm frame)

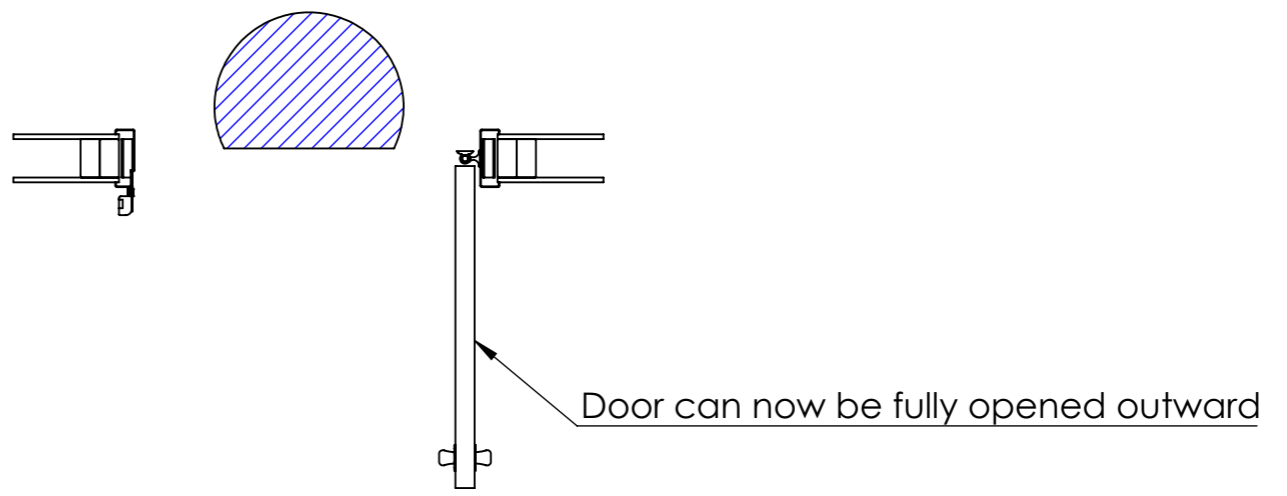
Anti Barricade Opening Stage 1



Anti Barricade Opening Stage 2



Anti Barricade Opening Stage 3



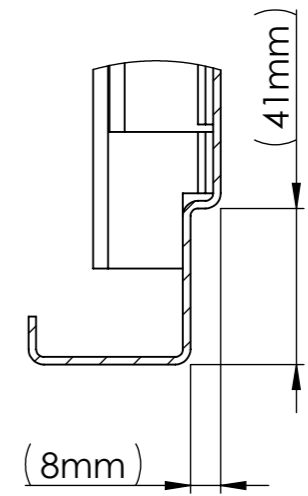
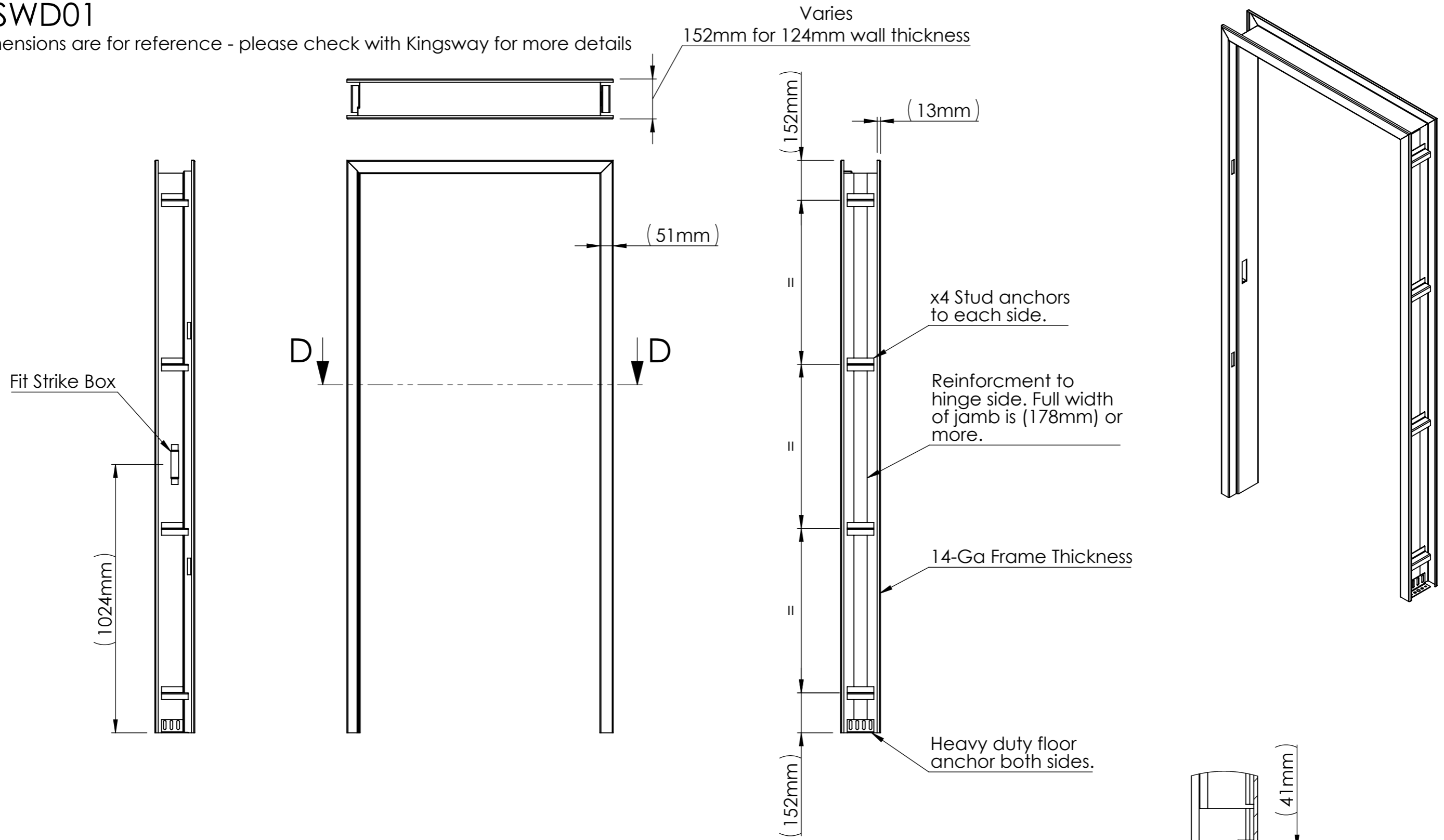
SWING Anti-Barricade Door System
Code: SWD01



sales@kingswaygroupau.com
www.kingswaygroupau.com

Single Rabbet Frame Details for SWD01

All dimensions are for reference - please check with Kingsway for more details



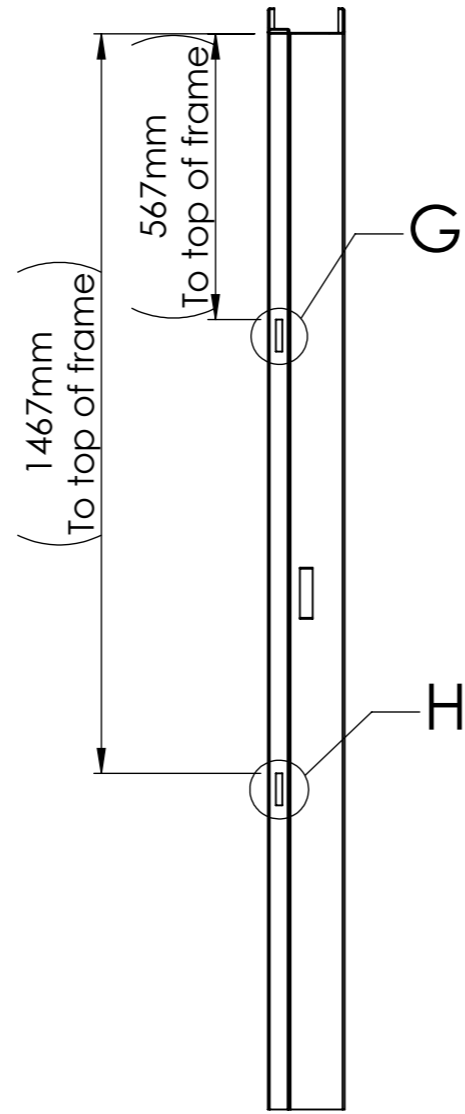
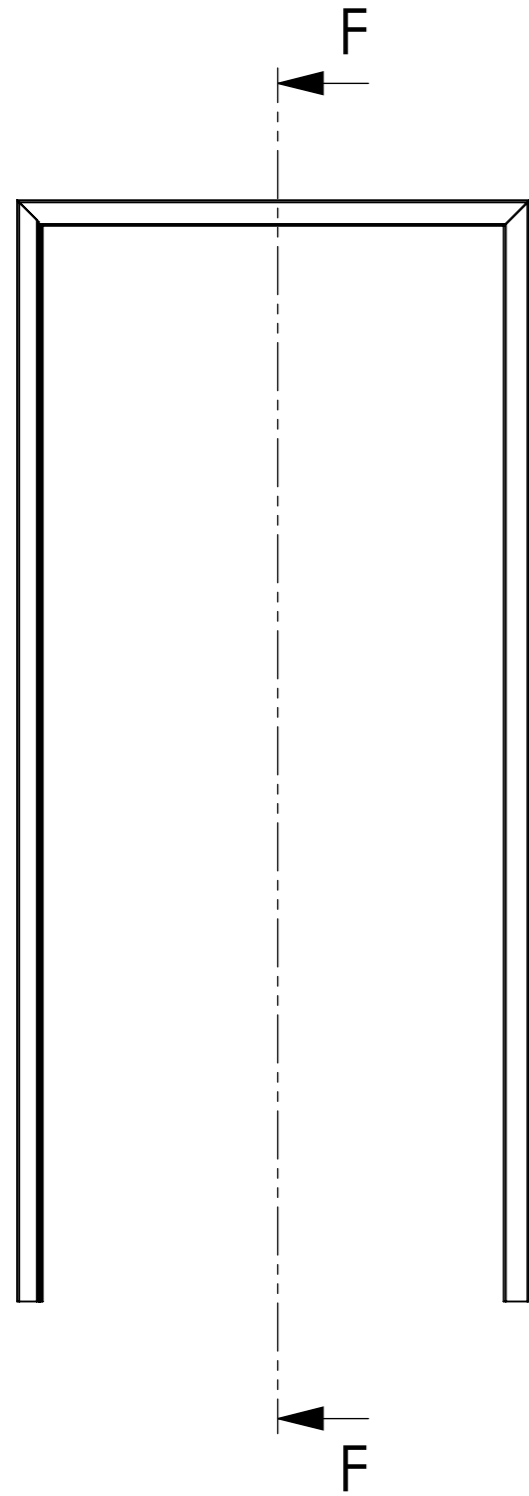
SWING Anti-Barricade Door System
Code: SWD01



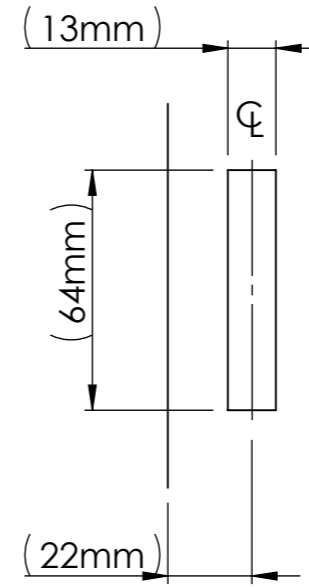
sales@kingswaygroupau.com
www.kingswaygroupau.com

Frame Details for KG205 SwingStop

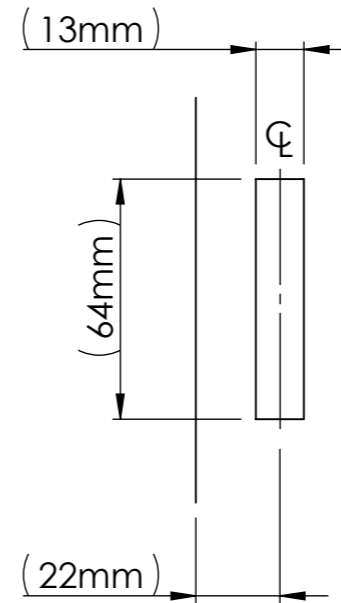
All dimensions are for reference - please check with Kingsway for more details



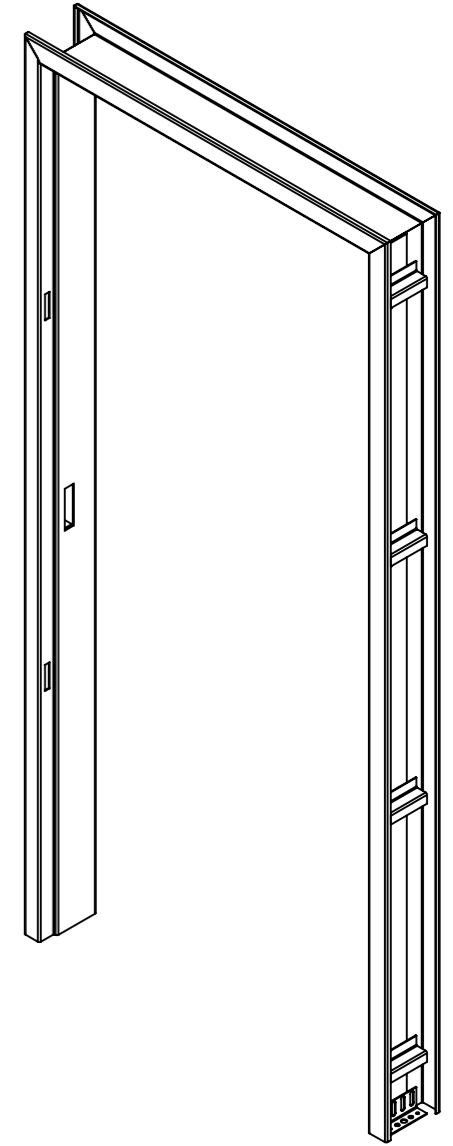
SECTION F-F



DETAIL G



DETAIL H



SWING Anti-Barricade
Door System
Code: SWD01



sales@kingswaygroupau.com
www.kingswaygroupau.com