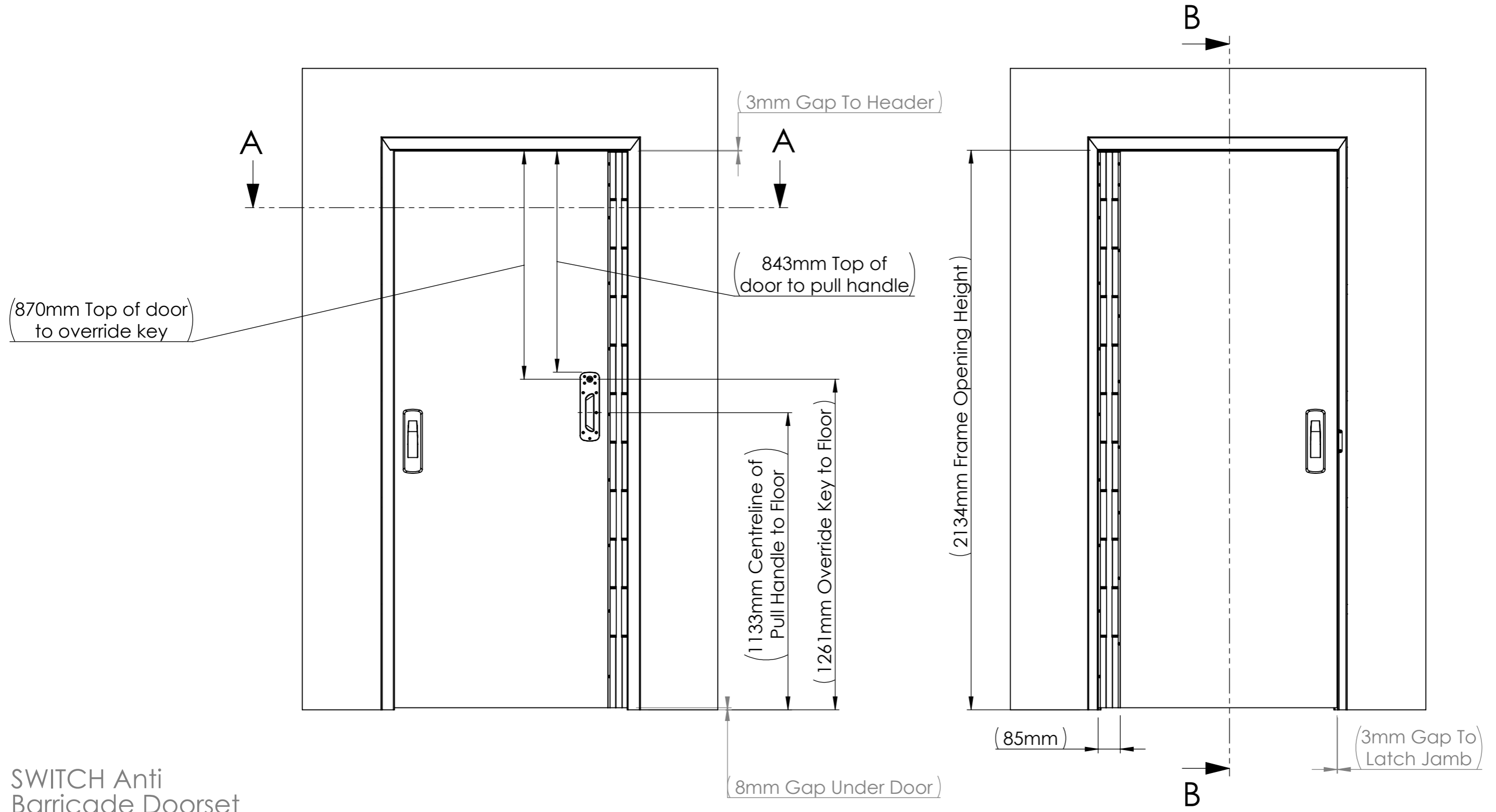


# SWITCH Door

All dimensions are for reference - please check with Kingsway for more details

## Corridor Side

## Bedroom Side



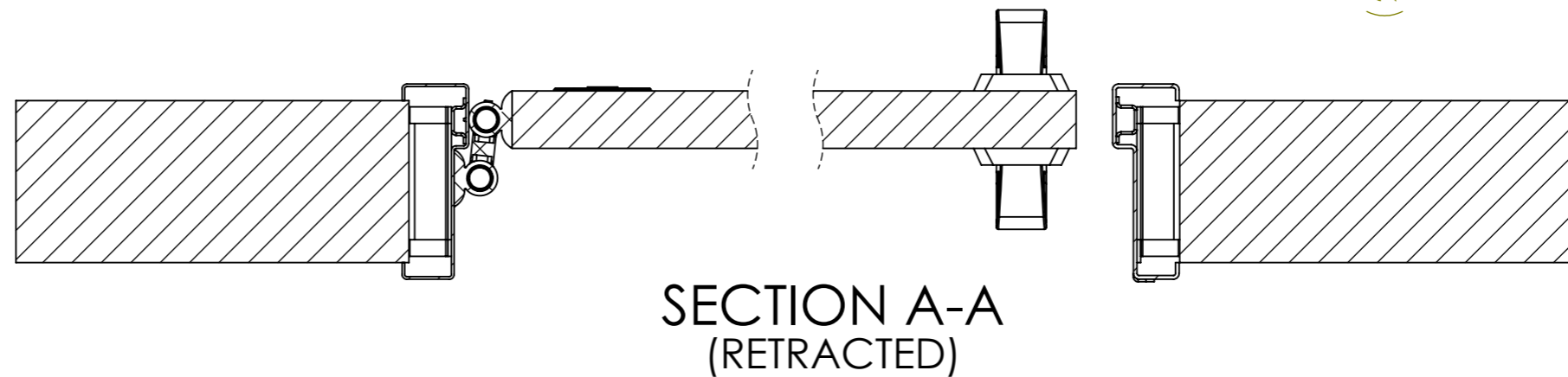
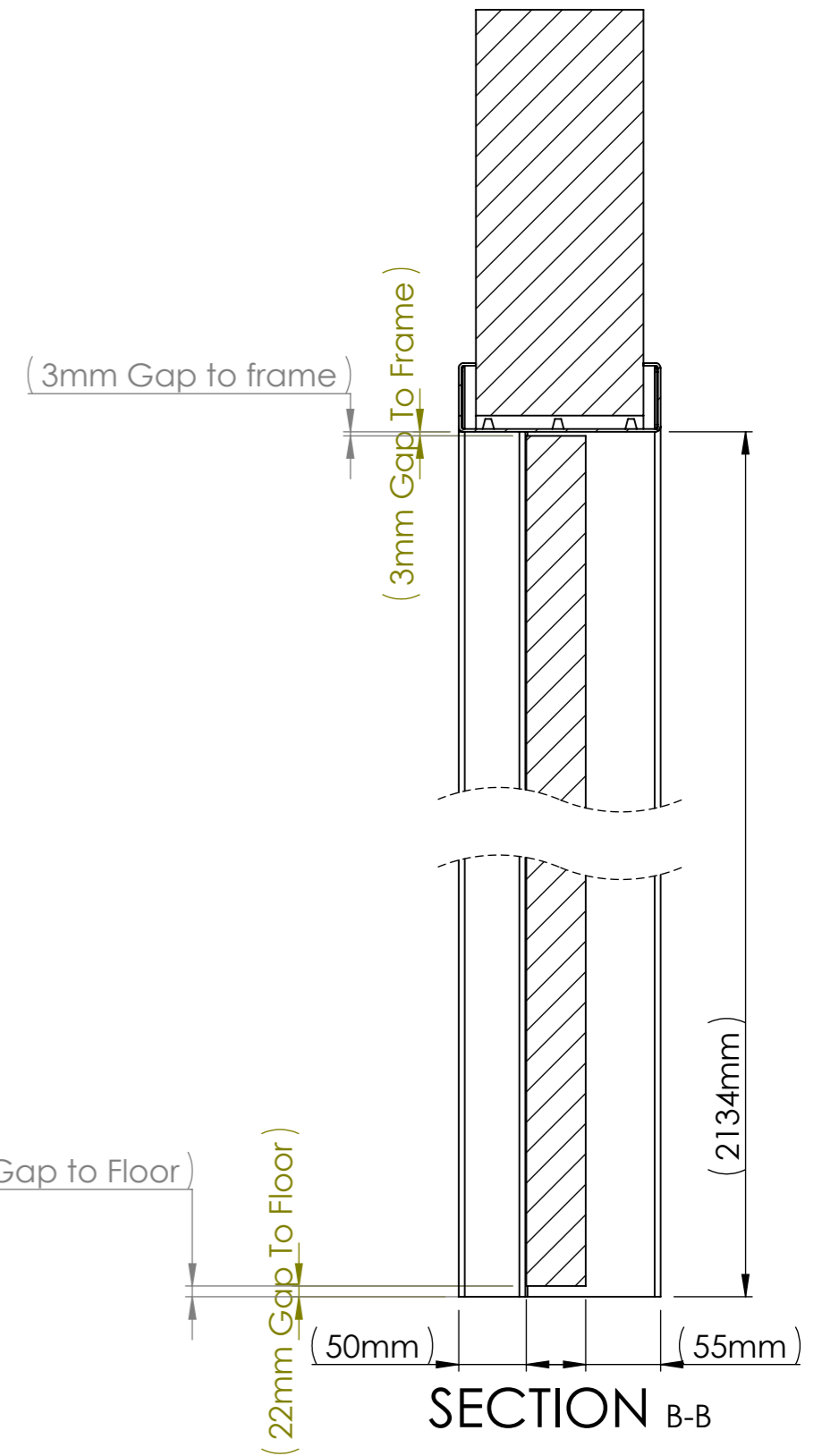
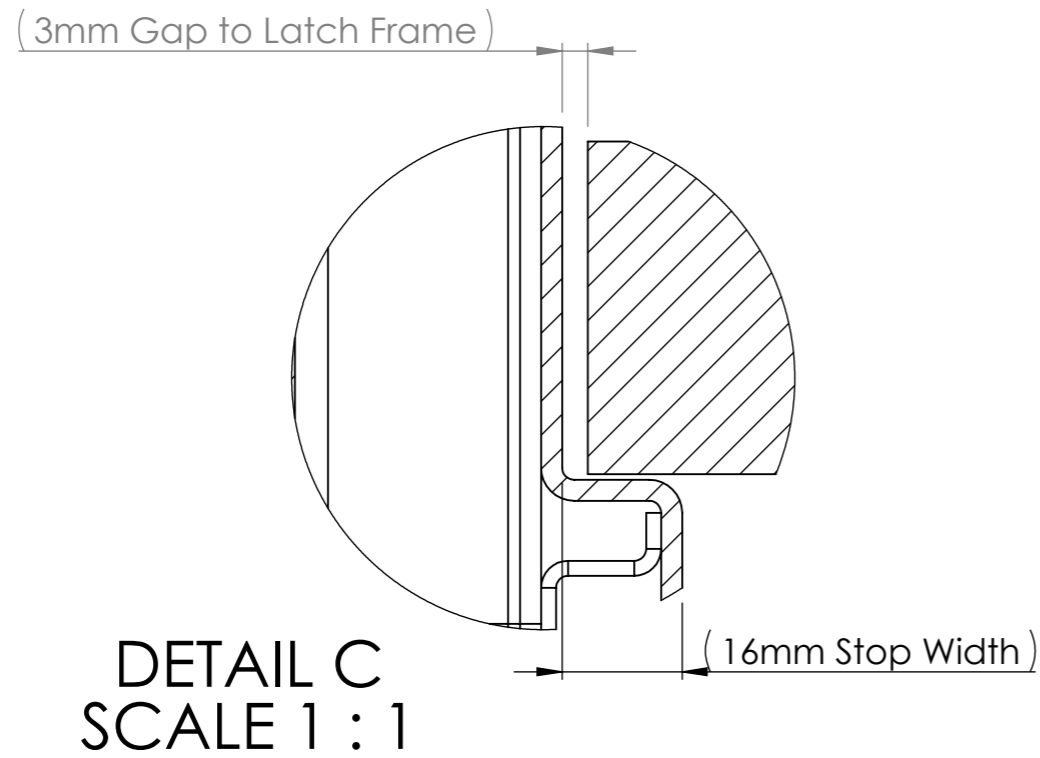
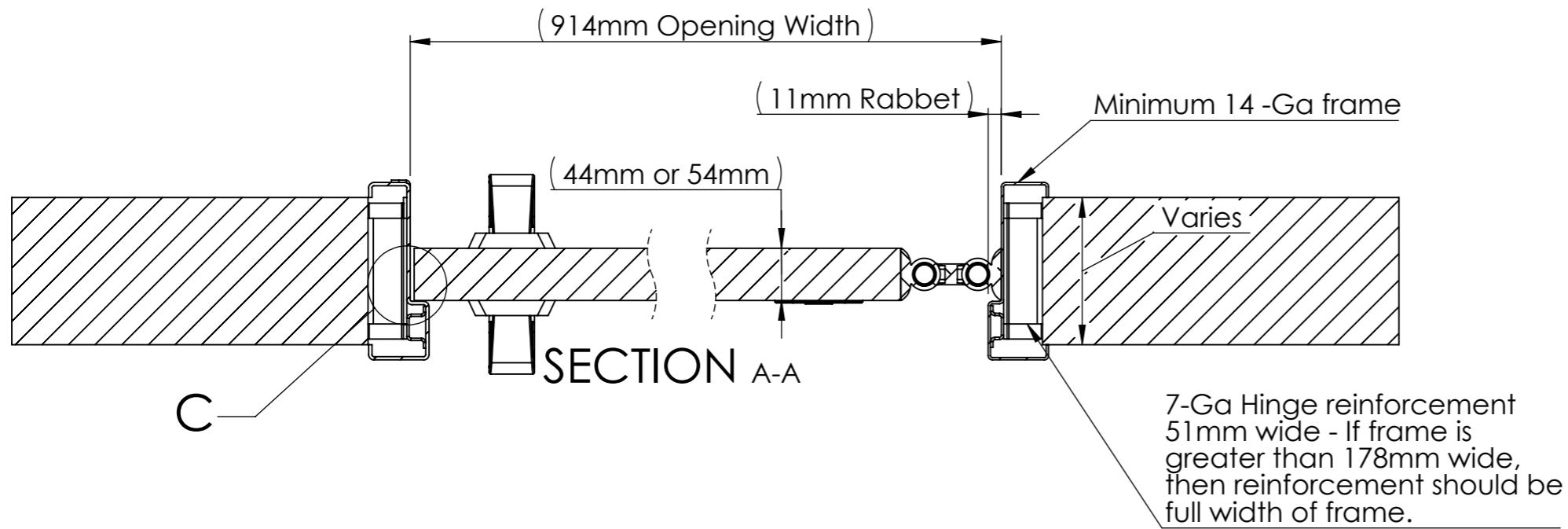
SWITCH Anti  
Barricade Doorset  
Code: SCH01 & SCH02



sales@kingswaygroupau.com  
www.kingswaygroupau.com

# SWITCH Door

All dimensions are for reference - please check with Kingsway for more details



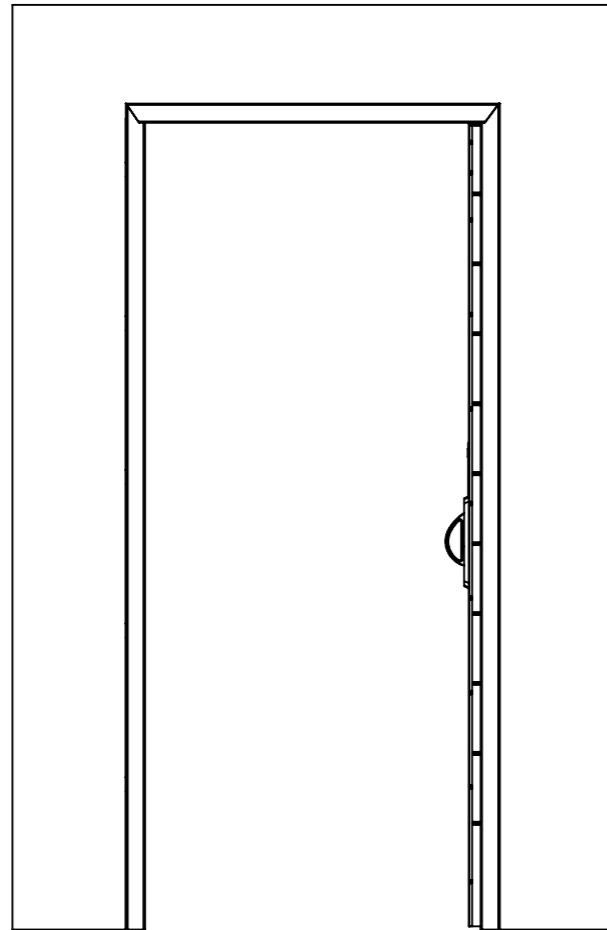
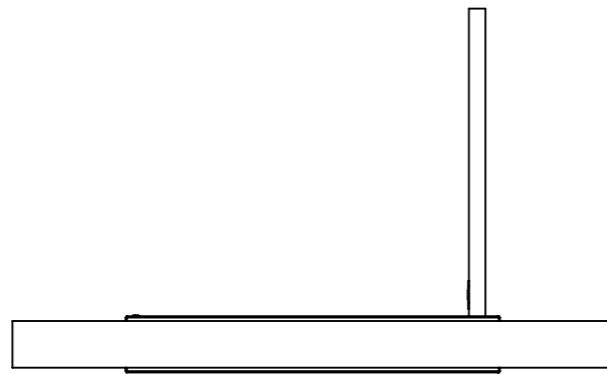
SWITCH Anti  
Barricade Doorset

Code: SCH01 & SCH02



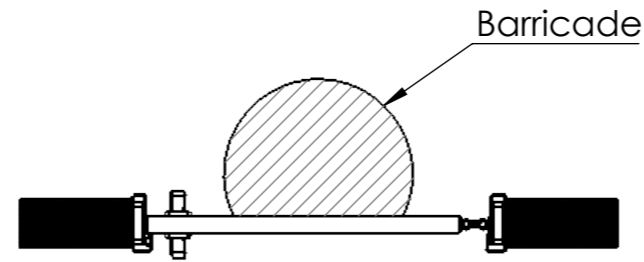
sales@kingswaygroupau.com  
www.kingswaygroupau.com

### Outward Opening Function

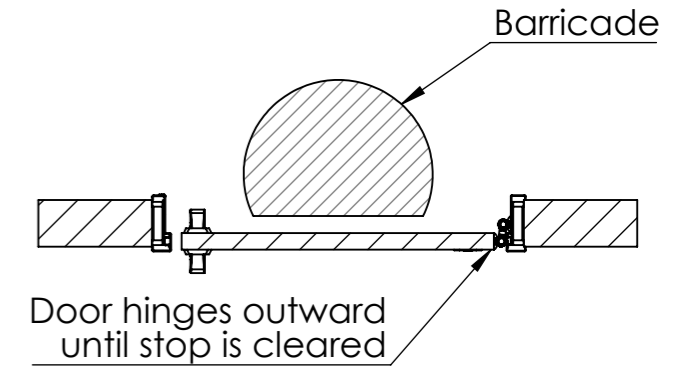


( 856mm Clear Opening )  
( Based off 914mm Frame )

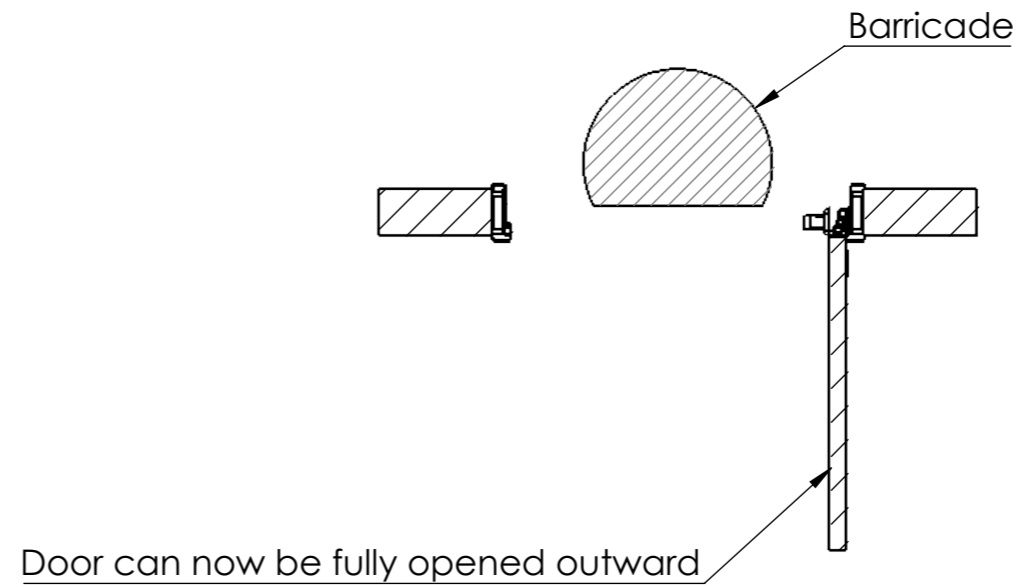
### Anti Barricade Opening Stage 1



### Anti Barricade Opening Stage 2



### Anti Barricade Opening Stage 3



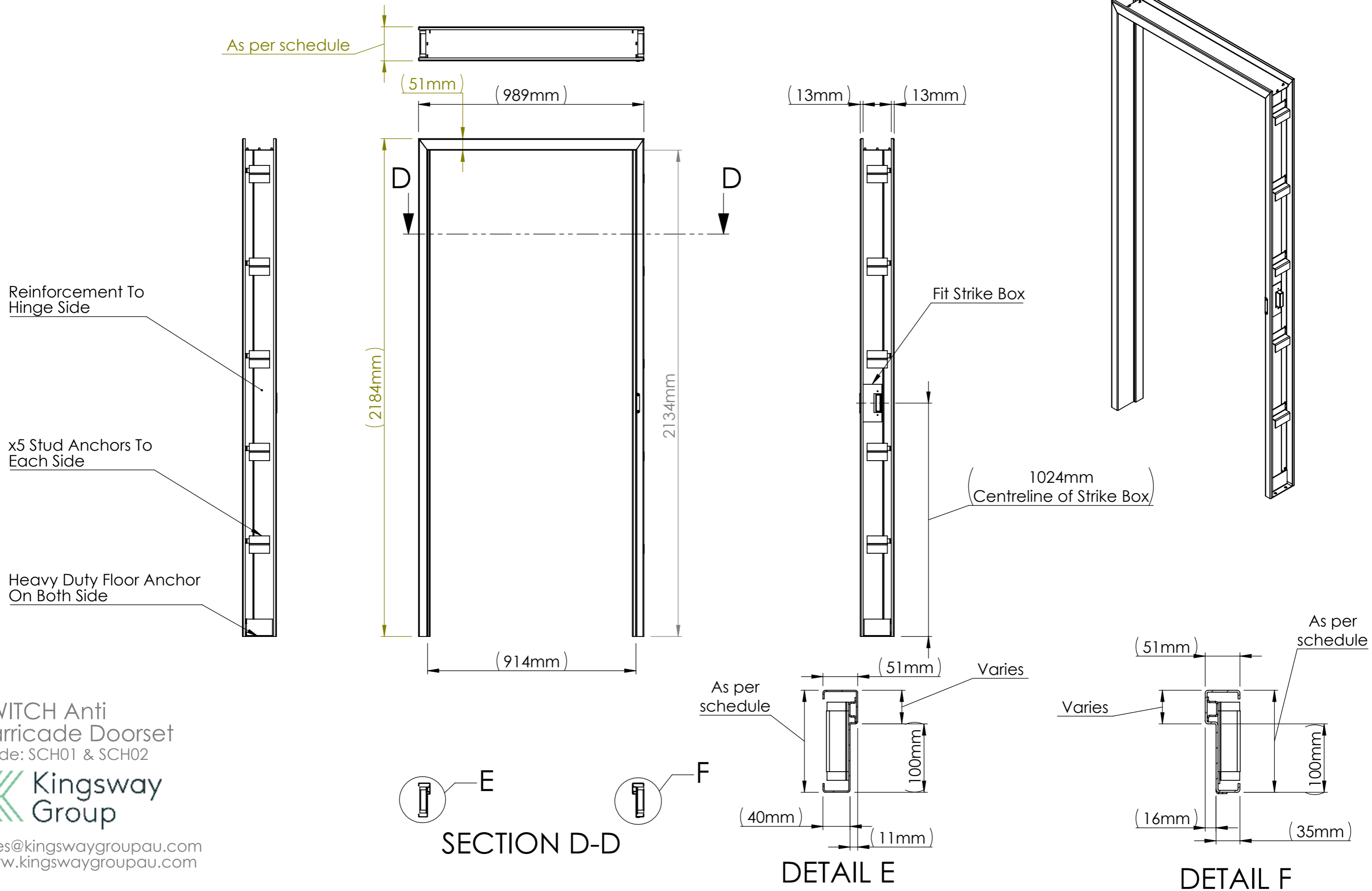
SWITCH Anti  
Barricade Doorset  
Code: SCH01 & SCH02



sales@kingswaygroupau.com  
www.kingswaygroupau.com

# SWITCH Door Anti-Barricade Frame - 11272 (RH shown)

All dimensions are for reference - please check with Kingsway for more details



SWITCH Anti Barricade Doorset  
Code: SCH01 & SCH02



sales@kingswaygroupau.com  
www.kingswaygroupau.com