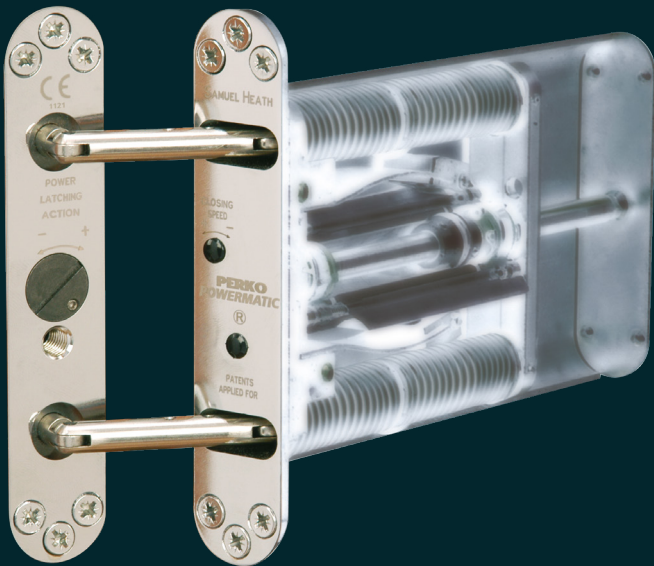


PRODUCT DATASHEET

## KG21 Recessed Side Closer

The Kingsway recessed side closer is a fully concealed unit when closed and has an adjustable closing speed and latching action.



# Your Partner in Patient Safety

## Installation Description

- Recess the main body of the closer in to the side of the door
- Cut-out for the mounting plate in the frame and fix in place
- Open the closer and place the main body in to the recess that has been cut in the door
- Fix securely in place and check for correct latching and closing speeds

## Operation and Maintenance

### Operation

The recessed side closer has been designed for doors up to 940mm wide and up to 80kg in weight with a maximum opening of 105°.

### Maintenance

Frequent checks should be made to ensure that the chains are well greased and that the latching and closing speeds are suitable.

## Warranty

### 1 Year Manufacturer's Defect Warranty\*

\*For faulty manufacture and not for damage

### Specification

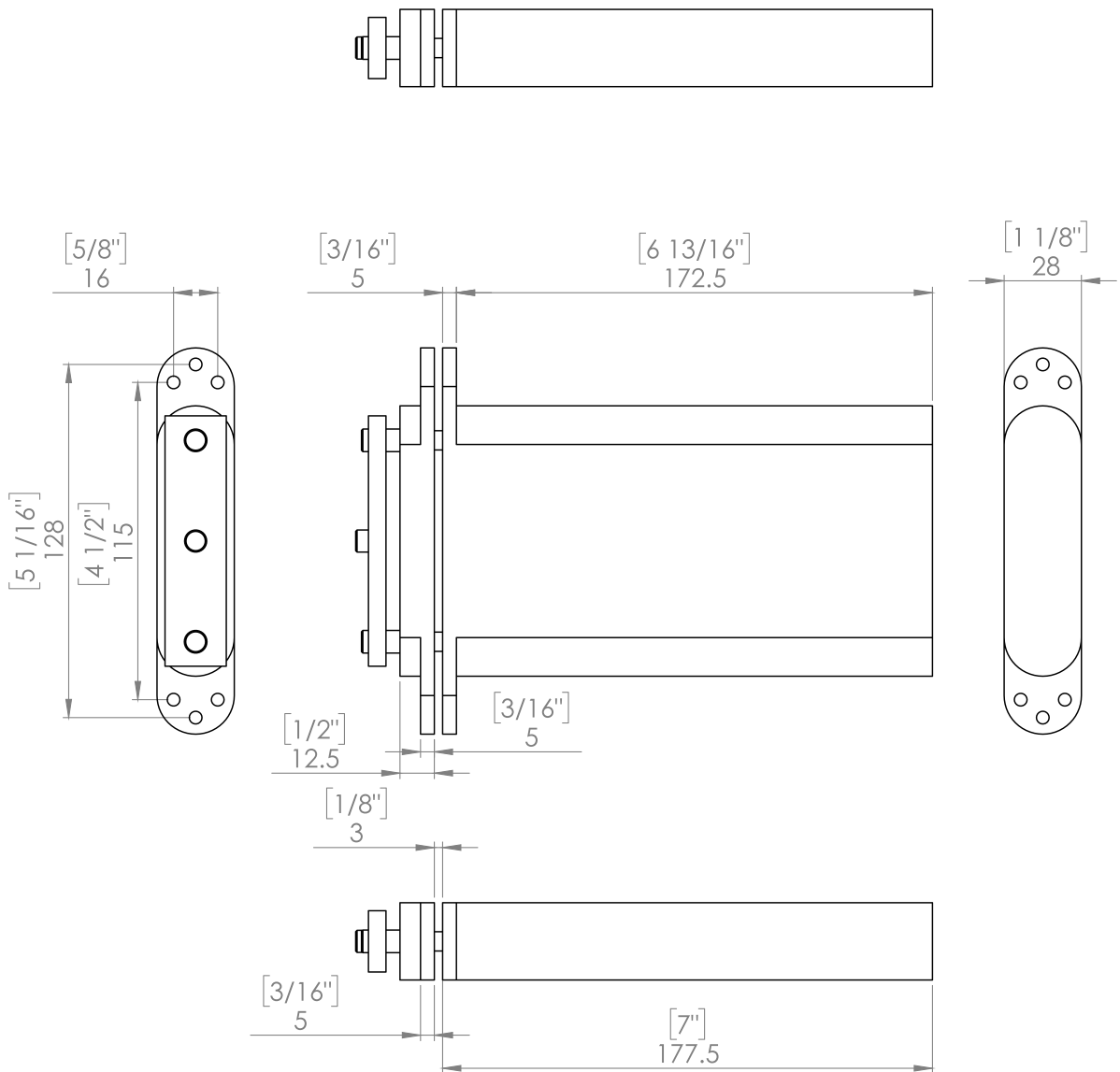
KG21 Recessed Door Closer

### Terms and conditions:

To see our full terms and conditions, please visit:  
[kingswaygroupglobal.com/en-au/terms](https://kingswaygroupglobal.com/en-au/terms)

PRODUCT DIAGRAM

# KG21 Recessed Side Closer



**Terms and conditions:**

To see our full terms and conditions, please visit: [kingswaygroupglobal.com/en-au/terms](https://kingswaygroupglobal.com/en-au/terms)