

PRODUCT DATASHEET

## KG111 Continuous Hinge

The stainless steel continuous geared hinge runs the full length of the door and provides maximum strength, security and safety.



**Terms and conditions:**

To see our full terms and conditions, please visit:  
[kingswaygroupglobal.com/en-au/terms](https://kingswaygroupglobal.com/en-au/terms)

# Your Partner in Patient Safety

## Installation Description

The KG111 Continuous Hinge is only supplied as part of a Kingsway Group Complete Door System where all components are fitted and tested in the production process.

## Operation and Maintenance

### Operation

The stainless steel continuous hinge operates by an interlocking butt mechanism that provides a high-strength and smooth motion for heavy, high traffic doors.

### Maintenance

Periodic checks should be made to ensure the hinge and fixings have not been tampered with.

### Cleaning

Cleaning of the hinges should be with a damp cloth. Cleaning agents should be avoided.

## Guarantee

### 5 Year Guarantee\*

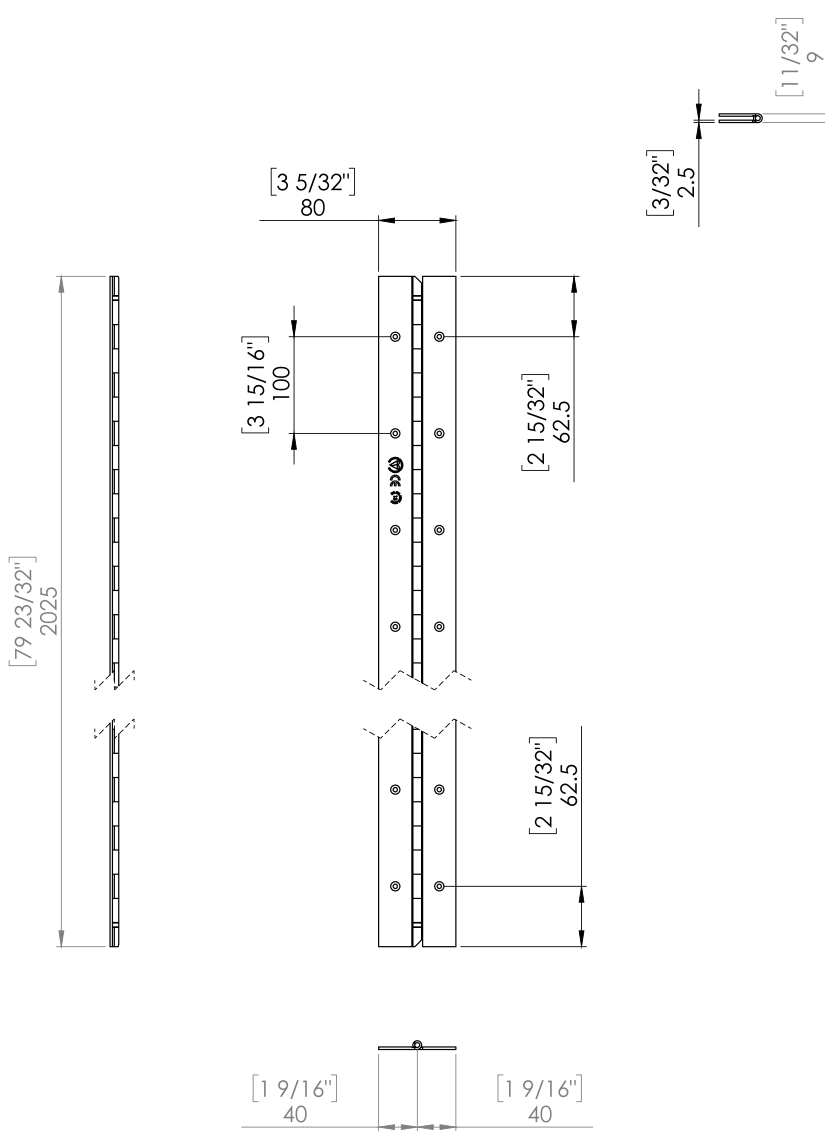
\*For faulty manufacture and not for damage

### Specification

KG111 Continuous Hinge

PRODUCT DIAGRAM

# KG111 Continuous Hinge



**Terms and conditions:**

To see our full terms and conditions, please visit: [kingswaygroupglobal.com/en-au/terms](https://kingswaygroupglobal.com/en-au/terms)