

PRODUCT DATASHEET

SERENITY Interactive Panel

The SERENITY wellness panel utilises the latest technology to support service user wellbeing in mental healthcare environments. Operated by an attack-resistant, anti-ligature touchscreen, SERENITY's bespoke software features a range of therapeutic applications designed to aid relaxation & de-escalation, support routine & planning, and provide service users with an enhanced sense of control within challenging environments.



Terms and conditions:

To see our full terms and conditions, please visit:
kingswaygroupglobal.com/terms

SERENITY Key Features & Benefits

Service User Benefits

- 'Check-in' tool to encourage proactive communication with care teams
- 'Schedule' tool to assist routine & planning
- Therapeutic apps & games to aid relaxation & de-escalation
- Customisable user interface to personalise the care setting
- Integrated lighting system with circadian rhythm function to promote wellbeing
- View personal photos & videos or relax to therapeutic 'Roomscapes'
- Integrated speaker system for music & video (low powered with staff override controls)
- No cameras or microphones to alleviate service users' privacy concerns
- High-strength, anti-ligature design for enhanced safety

Staff Benefits

- Remotely accessed staff-only control panel for complete control over all SERENITY units within the ward
- Filter content for each SERENITY unit to ensure suitability for individual service users
- Gain greater insight into how a service user is feeling to promote proactive intervention
- Provide service users with ward-related information such as timetables & agendas
- Easily transfer a service user's info from one SERENITY unit to another if a service user moves rooms
- Remotely enable/disable individual SERENITY units including sound and lighting functions
- Intuitively upload files such as photos or videos for a service user to view

COMPLETE DOOR SYSTEM DATASHEET

SERENITY Interactive Panel

Technical Specs

Screen:

- 32" capacitive touchscreen display
- 10mm Trident attack-resistant glazing
- Bespoke SERENITY Software
- Horizontal orientation

Frame:

- Surface mounted unit
- Powder coated stainless steel housing
- Powder coated mild steel mounting frame

Hardware:

- Integrated lighting system (with remote staff-only override control)
- Integrated speaker (with remote staff-only override control)

Weight:

- 50kg

Testing:

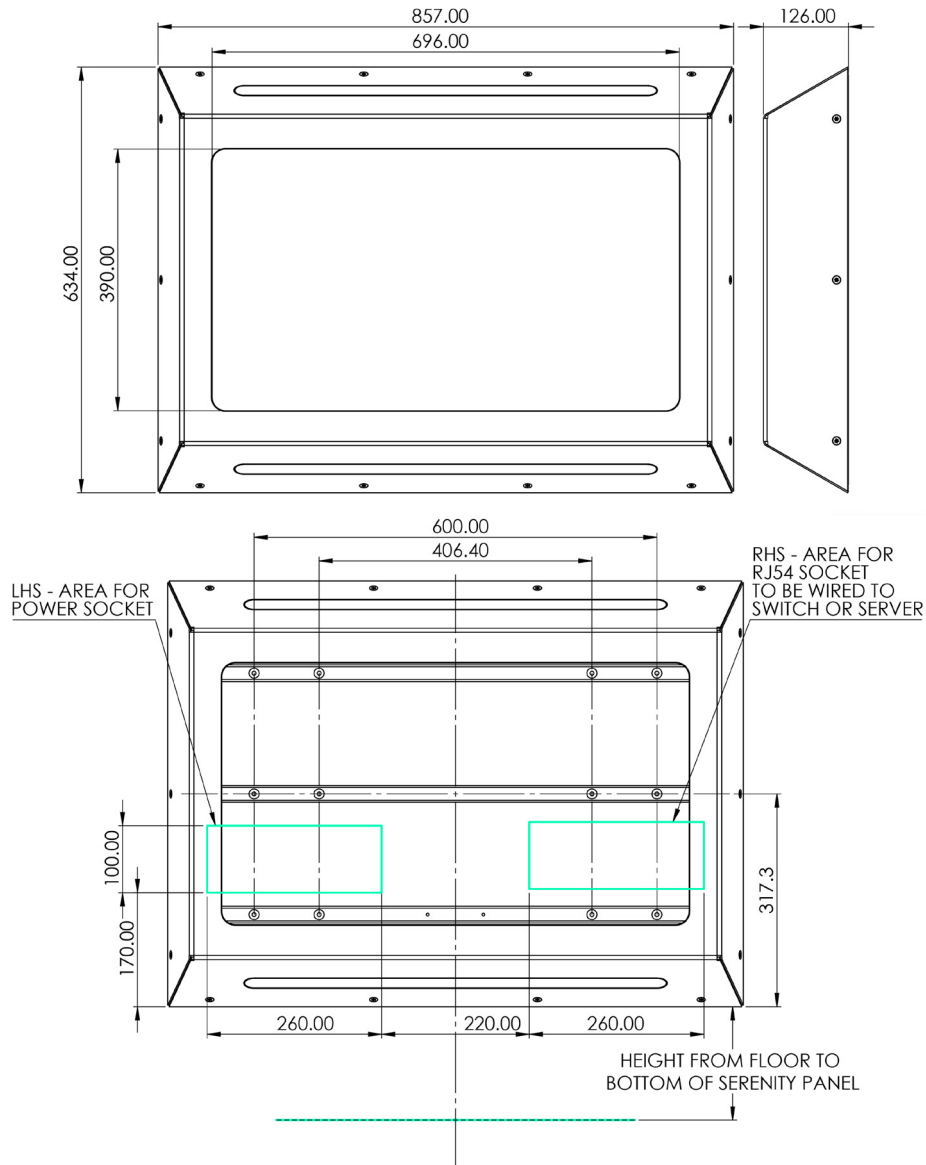
- Independently tested to Environmental Design Guide Medium Secure Services Annex B Tests 1, 2, 3 & 4
- IP65 compliant



Extended warranty available - contact sales@kingswaygroupau.com for more information.

PRODUCT DIAGRAM

SERENITY Interactive Panel



Terms and conditions:

To see our full terms and conditions, please visit: kingswaygroupglobal.com/terms



Your Partner in Patient Safety

The best ideas start
with a conversation

144/146 Russell St
Emu Plains
NSW 2750

1800 325 175
sales@kingswaygroupau.com

kingswaygroupglobal.com