

PRODUCT DATASHEET

## KG60 Classic Grip Pull Handle (on Backplate)

The Classic Grip is a solid anti-ligature handle with a large finger grip area to aid those with impaired manual dexterity. Shaped to resist ligature attachment and for greater infection control, the KG60 handle is supplied on a large chamfered backplate with radiused ends and countersunk fixing holes.



### Terms and conditions:

To see our full terms and conditions, please visit:  
[kingswaygroupglobal.com/en-au/terms](https://kingswaygroupglobal.com/en-au/terms)

# Your Partner in Patient Safety

## Installation Description

- If a Bolt Fixed Handle is being fitted to the other side of the door, install that handle first before continuing
- Mark out the 4 fixing holes by placing the handle on the door, making sure the backplate is flat on the door
- Pilot the 4 fixing holes then fix the handle in place using the 4 countersunk security screws supplied

## Operation and Maintenance

### Operation

The Classic Grip handle has been designed to allow 30mm of grip area for the fingers and the thumb, giving a positive grip that makes it easier to open heavy doors.

### Maintenance

Periodic checks should be made to the fixings to ensure they remain tight and that they have not been tampered with.

### Cleaning

Classic Grip handles should be cleaned using a non-abrasive sanitising agent. Abrasive cleaning cloth and agents should be avoided.

## Guarantee

### 5 Year Guarantee\*

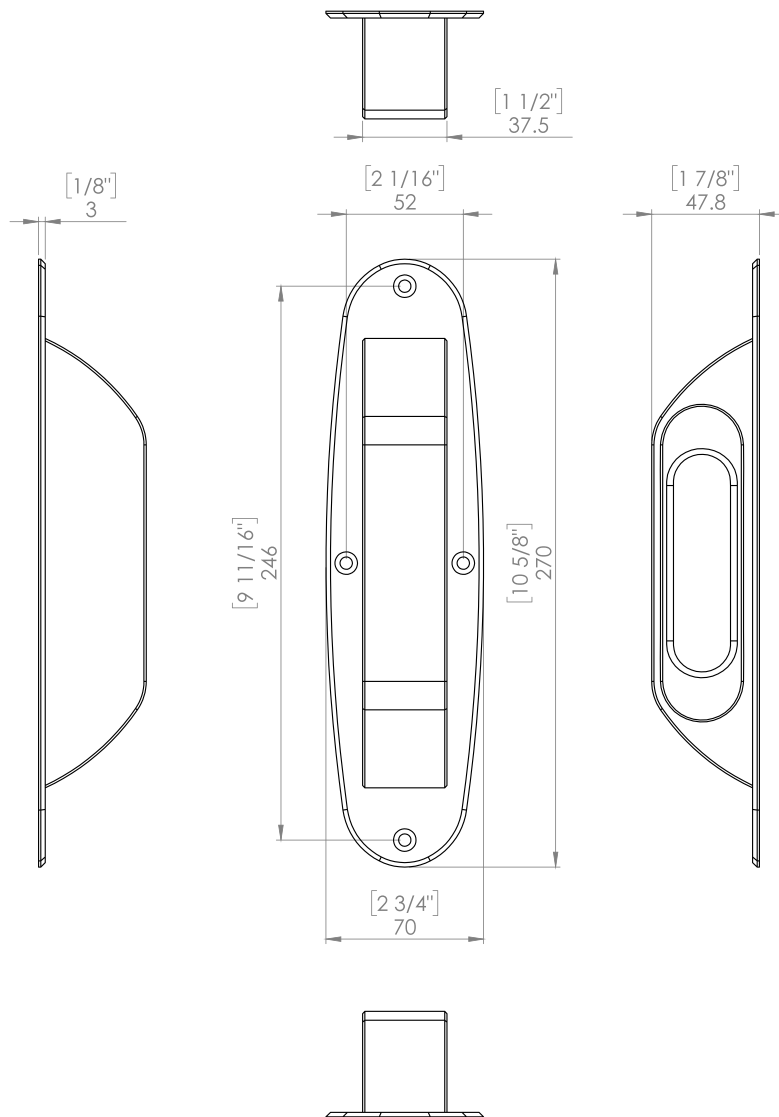
\*For faulty manufacture and not for damage

### Specification

KG60 Classic Grip Pull Handle on Backplate

PRODUCT DIAGRAM

# KG60 Classic Grip Pull Handle (on Backplate)



**Terms and conditions:**

To see our full terms and conditions, please visit: [kingswaygroupglobal.com/en-au/terms](https://kingswaygroupglobal.com/en-au/terms)