

PRODUCT DATASHEET

KG41 Ergo Grip Pull Handle (Bolt Fixed)

The Ergo Grip is a stylish and modern anti-ligature pull handle that offers excellent grip whilst remaining suitable for installation in all user group areas. The KG41 is supplied as a bolt fixed handle to be fitted with a KG40 on the other side of the door, or to be used on its own on cupboard or riser doors.



Terms and conditions:

To see our full terms and conditions, please visit:
kingswaygroupglobal.com/en-au/terms

Your Partner in Patient Safety

Installation Description

- Mark out the two fixing holes by placing the handle on the door, making sure the face of the handle is flat on the door
- Drill the fixing holes using a 10mm bit
- Fix the handle in place using the 2 countersunk security bolts supplied

Operation and Maintenance

Operation

The Ergo Grip has been designed to allow fingers and thumb to pull on the 40mm wide front face with a finger clearance area of 20mm from the door face.

Maintenance

Periodic checks should be made to the fixings to ensure they remain tight and that they have not been tampered with.

Cleaning

Ergo Grip handles should be cleaned using a non-abrasive sanitising agent. Abrasive cleaning cloth and agents should be avoided.

Warranty

1 Year Manufacturer's Defect Warranty*

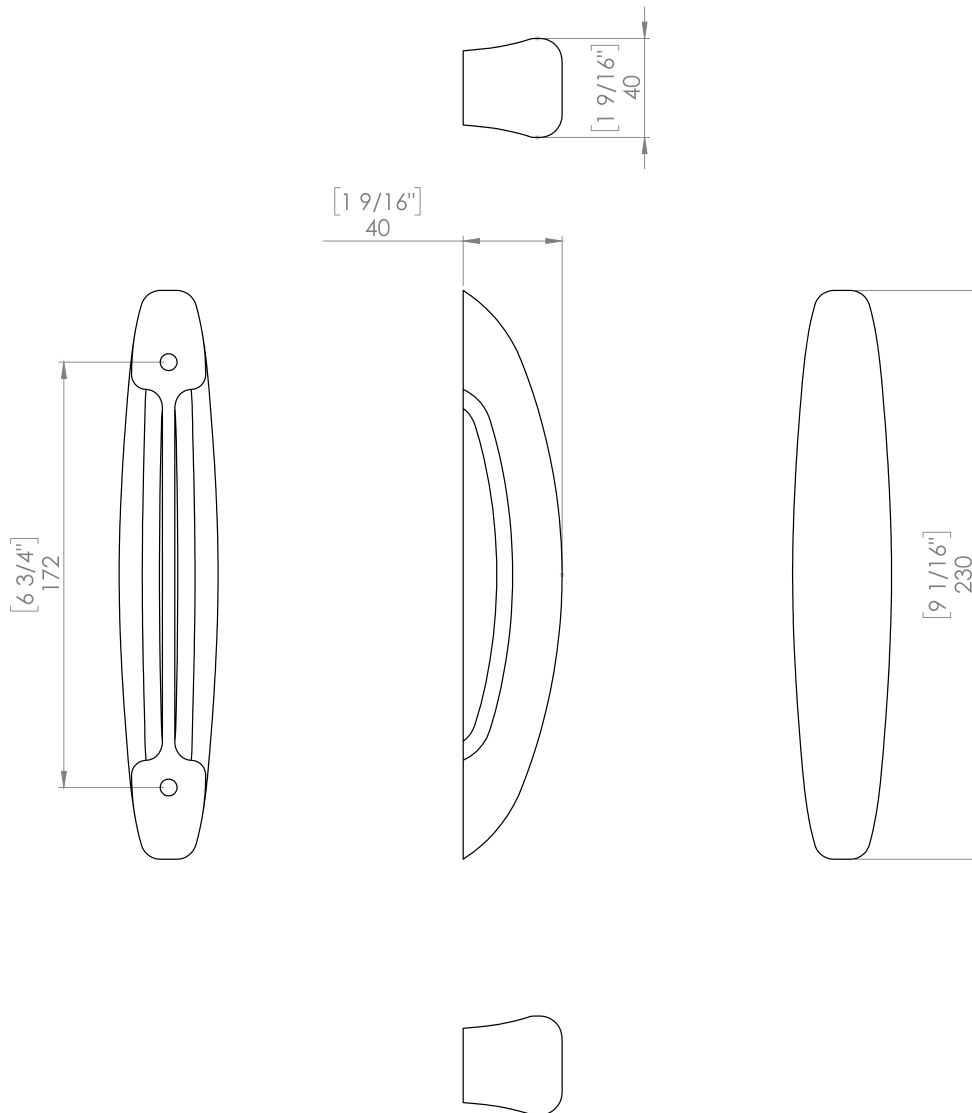
*For faulty manufacture and not for damage

Specification

KG41 Ergo Grip Pull Handle Bolt Fixed

PRODUCT DIAGRAM

KG41 Ergo Grip Pull Handle (Bolt Fixed)



Terms and conditions:

To see our full terms and conditions, please visit: kingswaygroupglobal.com/en-au/terms